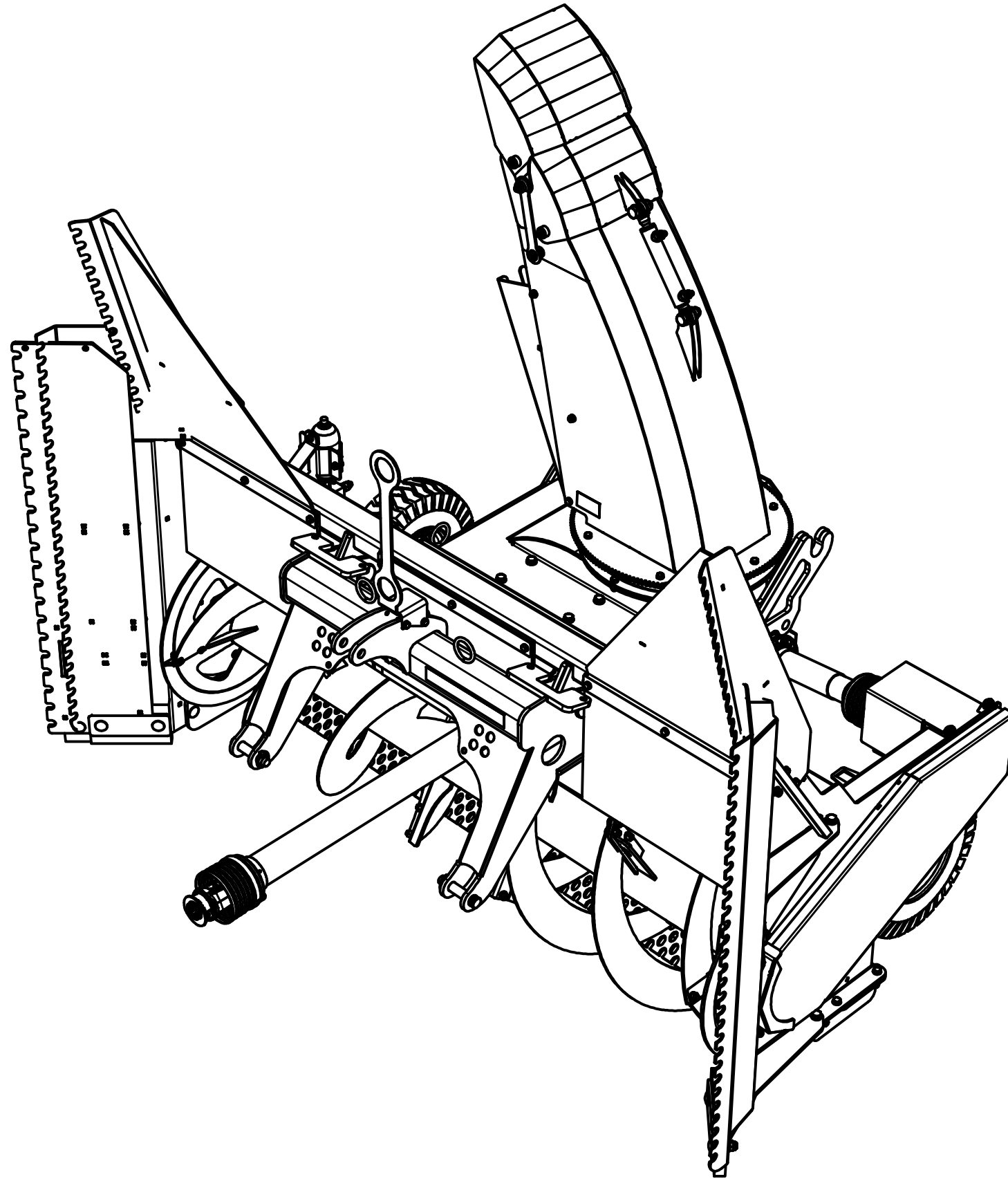
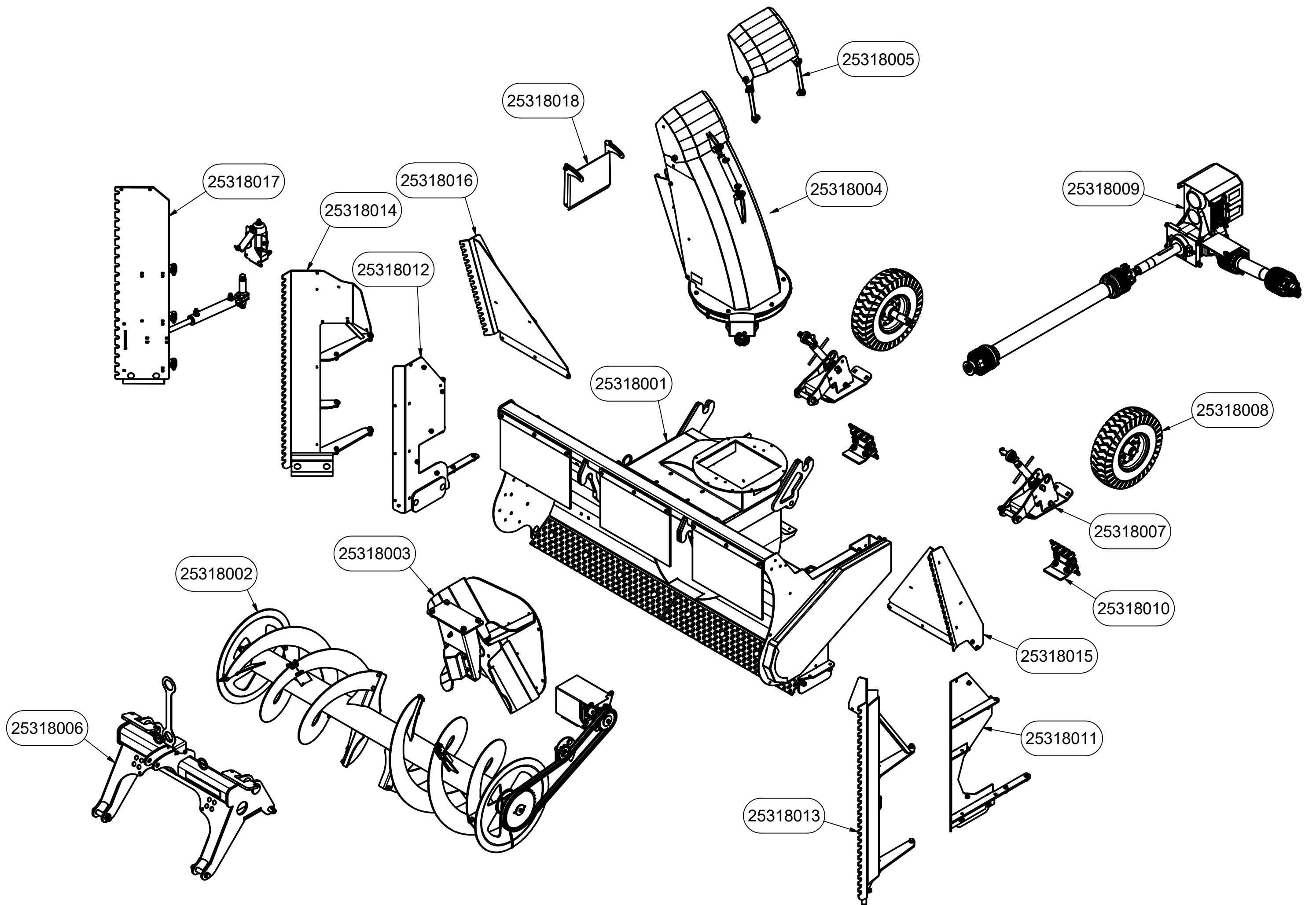


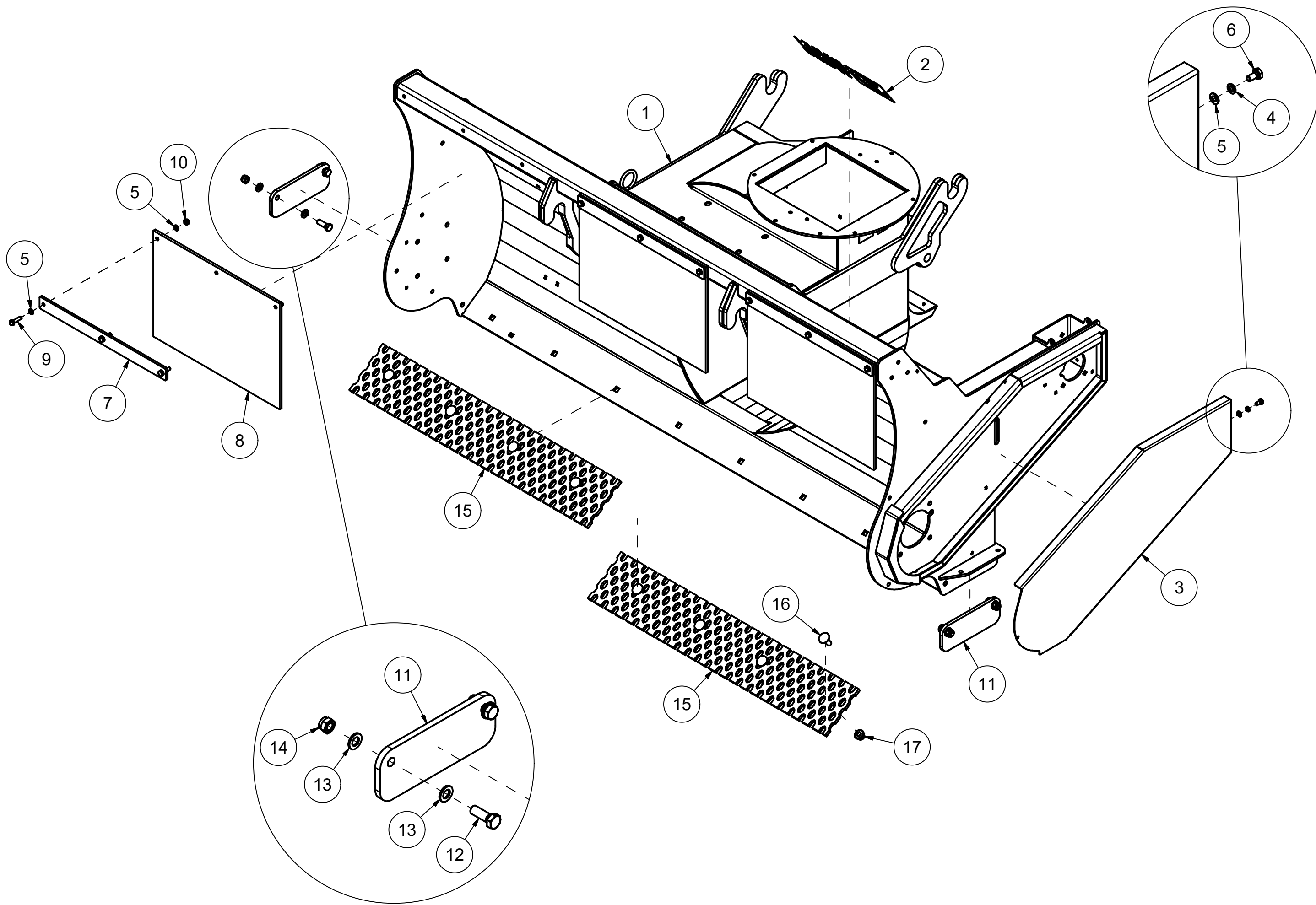
DUUN TFP250
Spare parts catalogue

Duun Industrier as
7630 Åsen, Norway
www.duun.no



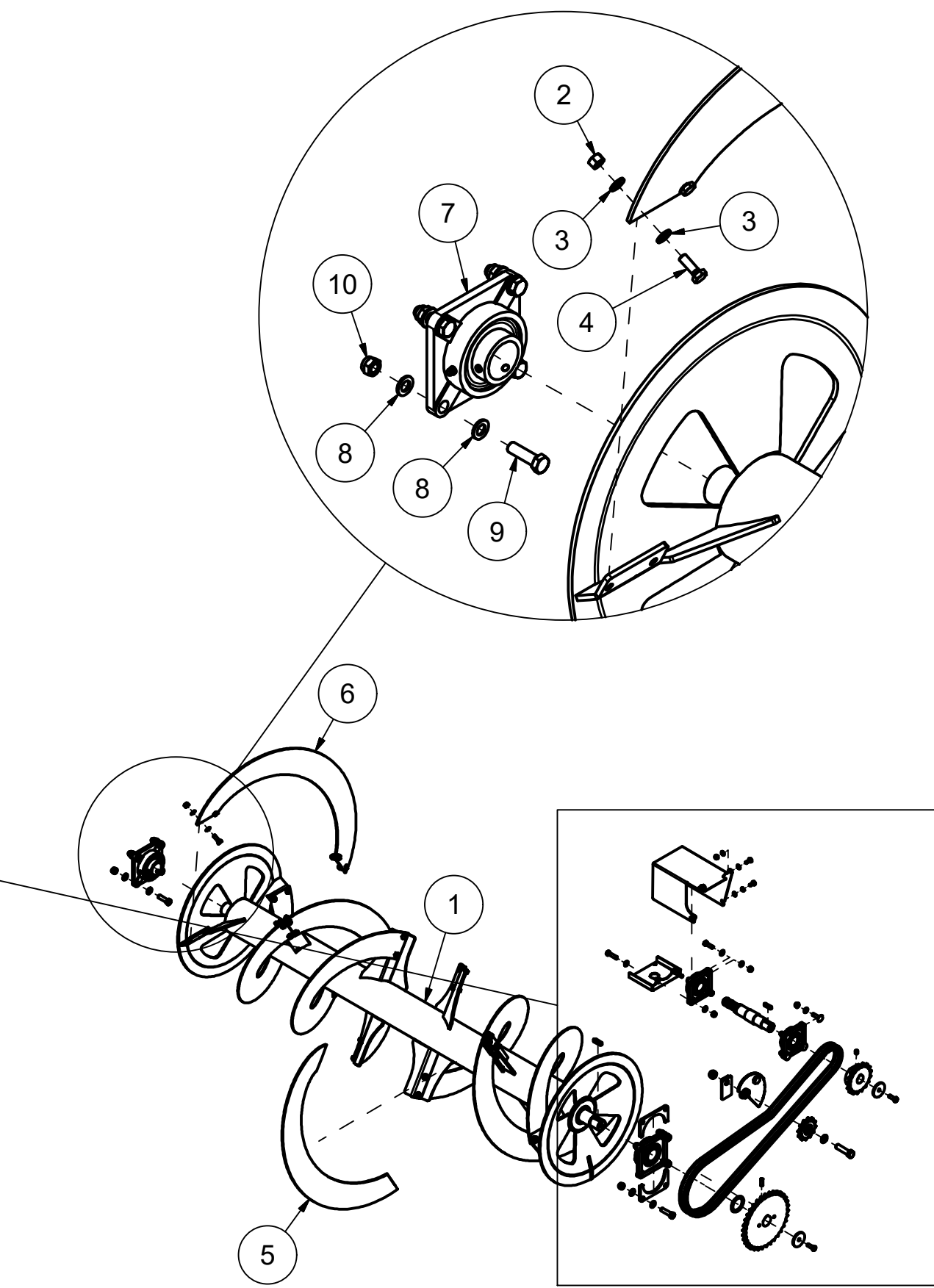
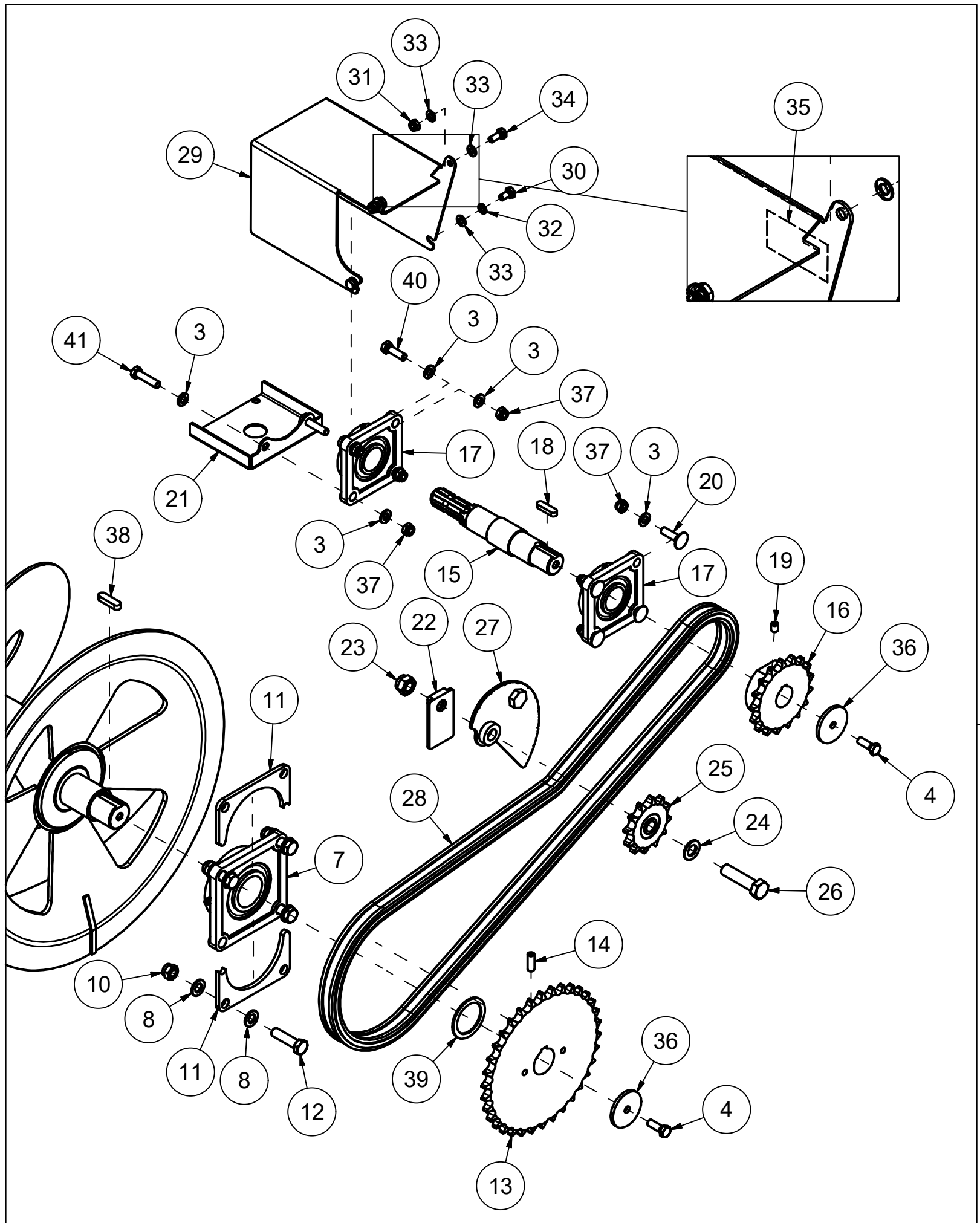


25318001 Hull



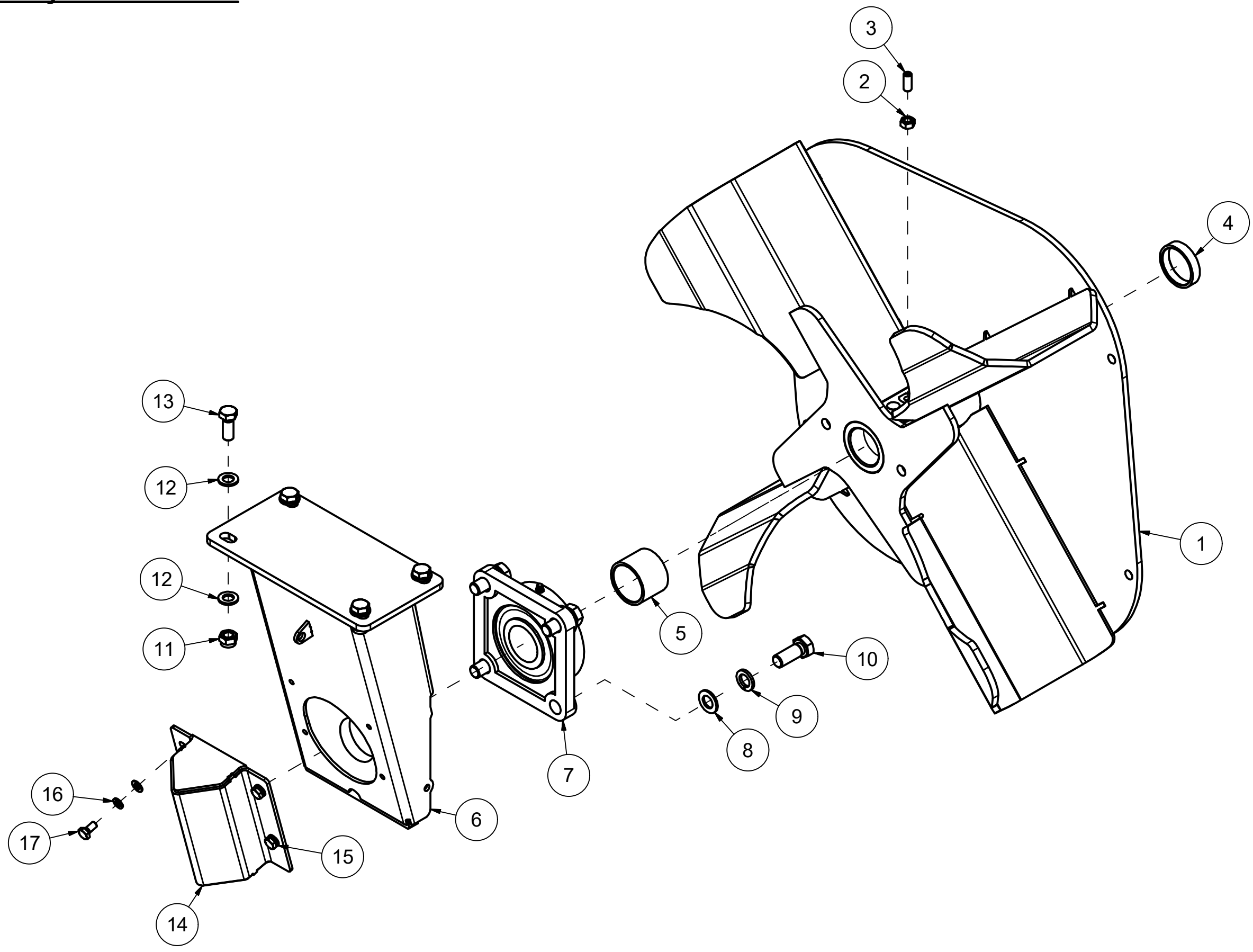
| Pos | Qty | Article no | Designation |
|-----|-----|------------|---|
| 1 | 1 | 12531001 | Hull TF250 |
| 2 | 1 | 2935153 | Sticker TF250 424x130 |
| 3 | 1 | 12531014 | Cover |
| 4 | 1 | 2534060 | Spring washer M10 EIZn DIN 127 |
| 5 | 19 | 2531060 | Washer M10 EIZn DIN 125 |
| 6 | 1 | 2422295 | Hexagon screw M10x20 EIZn 8.8 DIN 933 |
| 7 | 3 | 12531040 | Clamp rail |
| 8 | 3 | 12531039 | Protective rubber |
| 9 | 9 | 2422303 | Hexagon screw M10x40 EIZn 8.8 DIN 931 |
| 10 | 9 | 2483610 | Locking nut M10 EIZn DIN 985 |
| 11 | 2 | 12531075 | Wear steel 12x107x283 |
| 12 | 4 | 2422491 | Hexagon screw M16x45 EIZn 8.8 DIN 933 |
| 13 | 8 | 2531078 | Washer M16 EIZn DIN 125 |
| 14 | 4 | 2483613 | Locking nut M16 EIZn DIN 985 |
| 15 | 2 | 2112240 | Perforated wear steel 12x200x1165 |
| 16 | 8 | 2344491 | Locking screw M16x45 EIZn 8.8 DIN 603 |
| 17 | 8 | 2489175 | Locking nut with flange M16 EIZn DIN 6926 |

25318002 Feeding screw



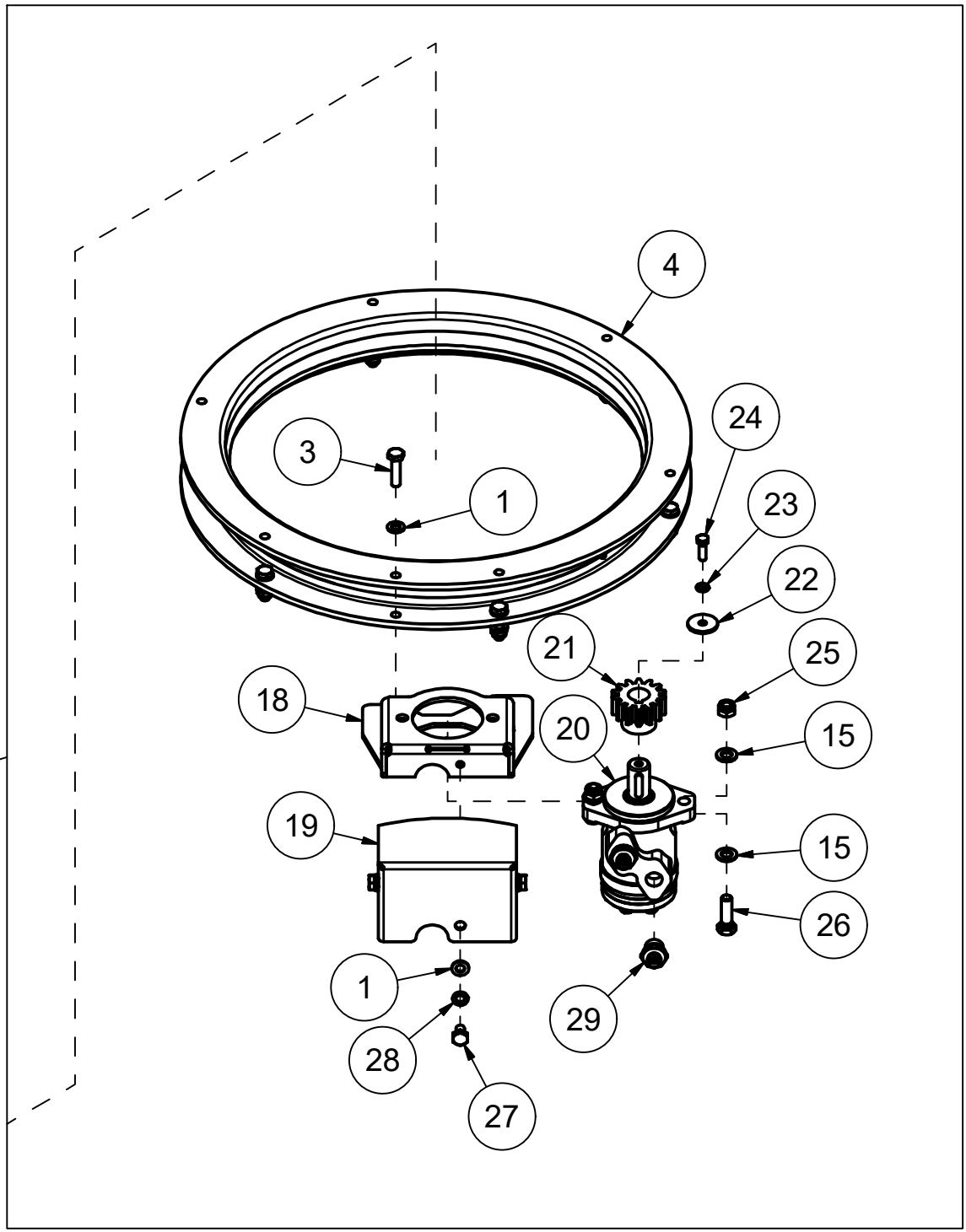
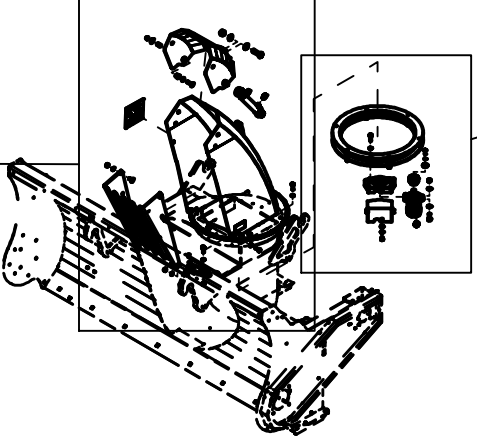
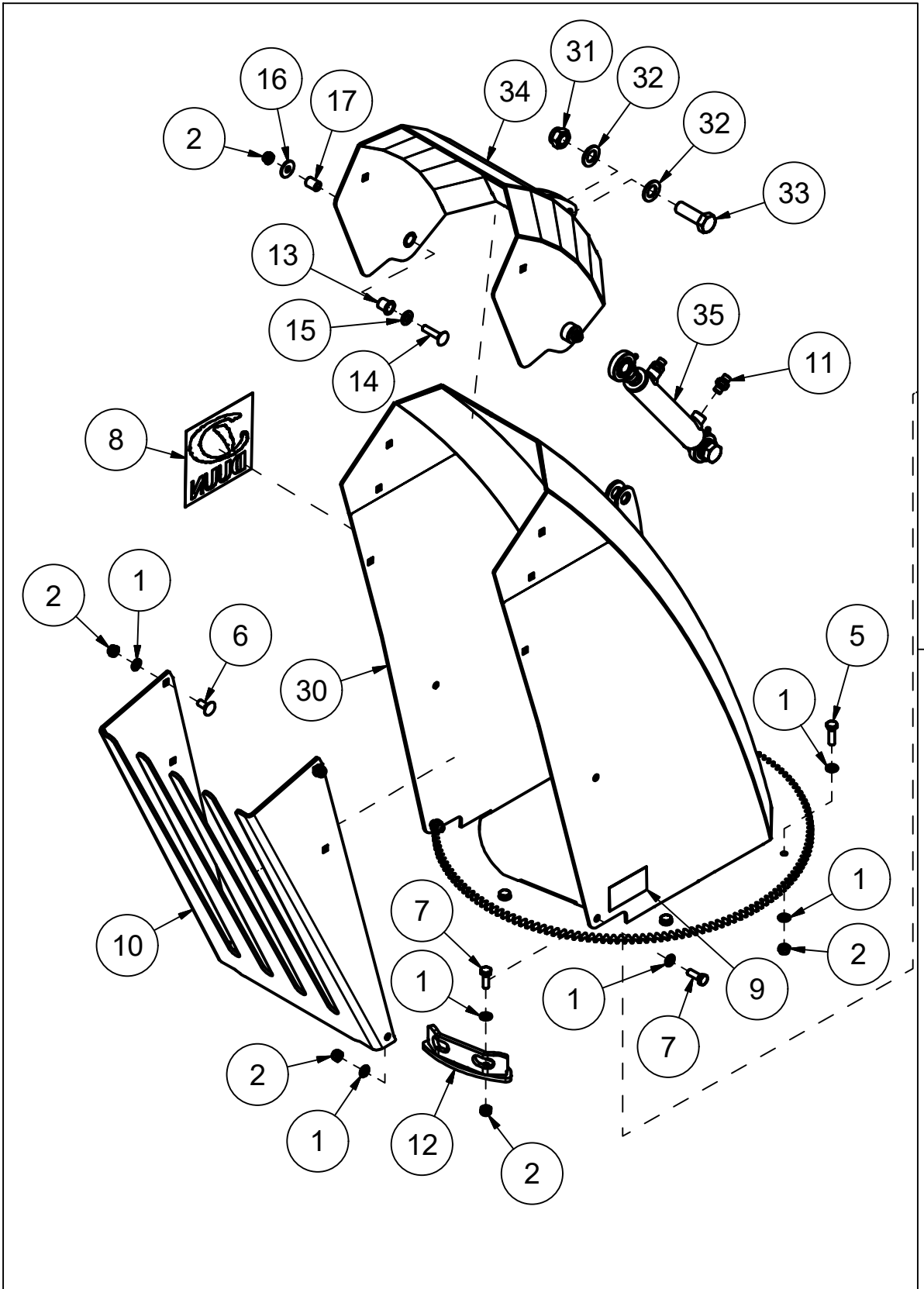
| Pos | Qty | Article no | Designation |
|-----|-----|------------|--|
| 1 | 1 | 12531002 | Feeding screw TF250 |
| 2 | 32 | 2489611 | Hexagon nut mechanical lock M12 EIZn DIN 980 |
| 3 | 76 | 2531069 | Washer M12 EIZn DIN 125 |
| 4 | 34 | 2423350 | Hexagon screw M12x35 EIZn 10.9 DIN 933 |
| 5 | 4 | 12531064 | Left screw element |
| 6 | 4 | 12531066 | Right screw element |
| 7 | 2 | 2954177 | Flange bearing UCF 212 60mm |
| 8 | 16 | 2531078 | Washer M16 EIZn DIN 125 |
| 9 | 4 | 2422494 | Hexagon screw M16x55 EIZn 8.8 DIN 931 |
| 10 | 8 | 2483613 | Locking nut M16 EIZn DIN 985 |
| 11 | 2 | 12531011 | Plate |
| 12 | 4 | 2422495 | Hexagon screw M16x60 EIZn 8.8 DIN 931 |
| 13 | 1 | 2964229 | Chain wheel 1" Z34 Ø50 |
| 14 | 1 | 2473350 | Hollow threaded pin M12x35 St DIN 916 |
| 15 | 1 | 12531050 | Shaft |
| 16 | 1 | 2964212 | Chain wheel 1" Z17 Ø40 |
| 17 | 2 | 2954174 | Flange bearing UCF 209 45mm |
| 18 | 1 | 2115160 | Cotter 12x8 L45 St DIN 6885A |
| 19 | 1 | 2473340 | Hollow threaded pin M12x16 St DIN 916 |
| 20 | 4 | 2344354 | Locking screw M12x45 EIZn 8.8 DIN 603 |
| 21 | 1 | 12531055 | Cover |
| 22 | 1 | 12531082 | Nut lock |
| 23 | 1 | 2483615 | Locking nut M20 EIZn DIN 985 |
| 24 | 1 | 2531086 | Washer M20 EIZn DIN 125 |
| 25 | 1 | 2954120 | Chain tensioner wheel 1" 12 t |
| 26 | 1 | 2422581 | Hexagon screw M20x80 EIZn 8.8 DIN 931 |
| 27 | 1 | 12531090 | Chain tensioner |
| 28 | 1 | 2963128 | Roller chain 1" 91 links |
| 29 | 1 | 12531051 | Cover |
| 30 | 2 | 2422295 | Hexagon screw M10x20 EIZn 8.8 DIN 933 |
| 31 | 2 | 2483610 | Locking nut M10 EIZn DIN 985 |
| 32 | 2 | 2534060 | Spring washer M10 EIZn DIN 127 |
| 33 | 6 | 2531060 | Washer M10 EIZn DIN 125 |
| 34 | 2 | 2422297 | Hexagon screw M10x25 EIZn 8.8 DIN 933 |
| 35 | 1 | 2935039 | Sticker 75x40 Lubrication oil |
| 36 | 2 | 14131061 | Washer ø12,5/70x6 |
| 37 | 8 | 2483611 | Locking nut M12 EIZn DIN 985 |
| 38 | 1 | 2115175 | Cotter 14x9 L50 St DIN 6885A |
| 39 | 1 | 12531122 | Skims 3mm |
| 40 | 2 | 2422352 | Hexagon screw M12x40 EIZn 8.8 DIN 933 |
| 41 | 2 | 2422356 | Hexagon screw M12x50 EIZn 8.8 DIN 931 |

25318003 Ejector fan



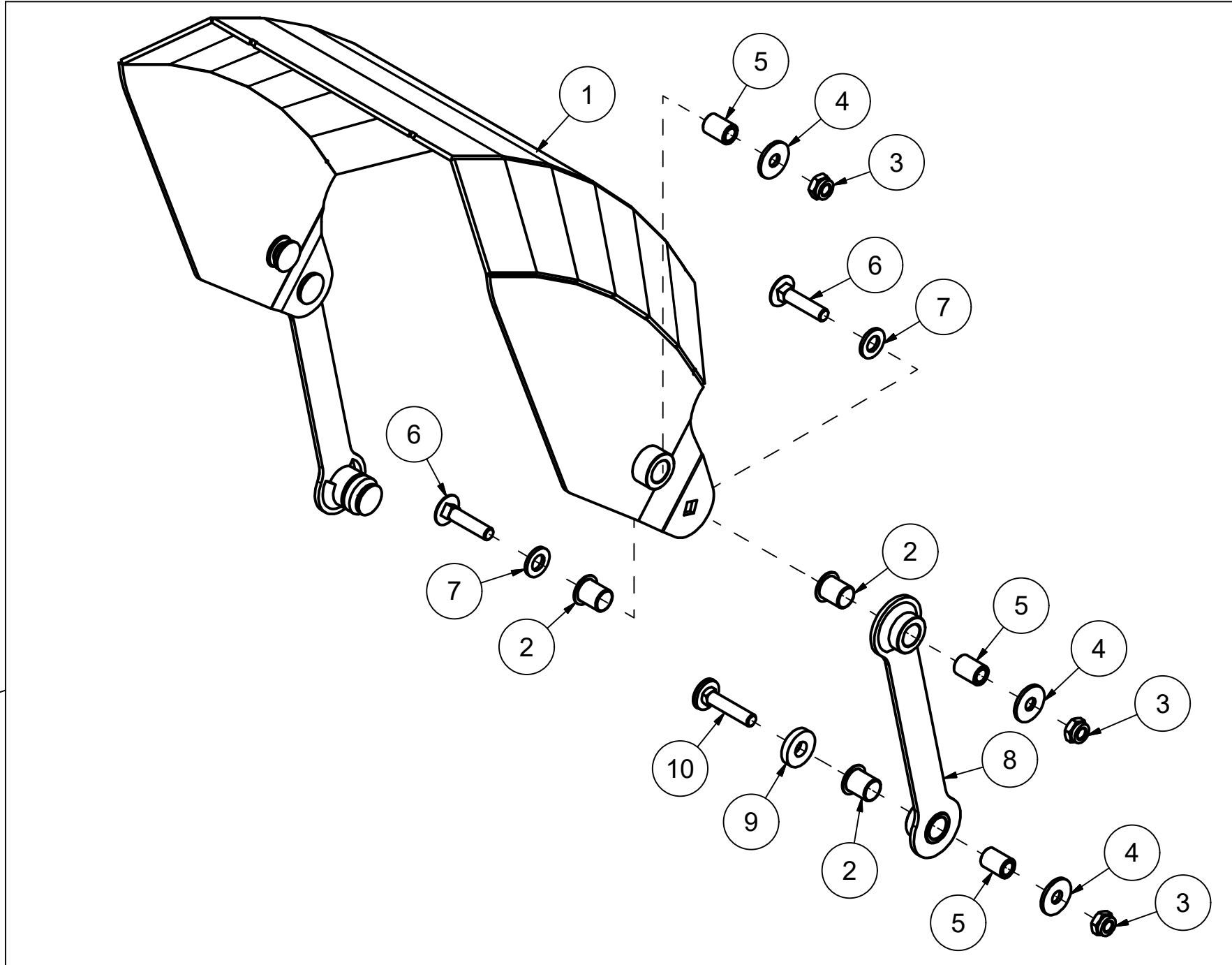
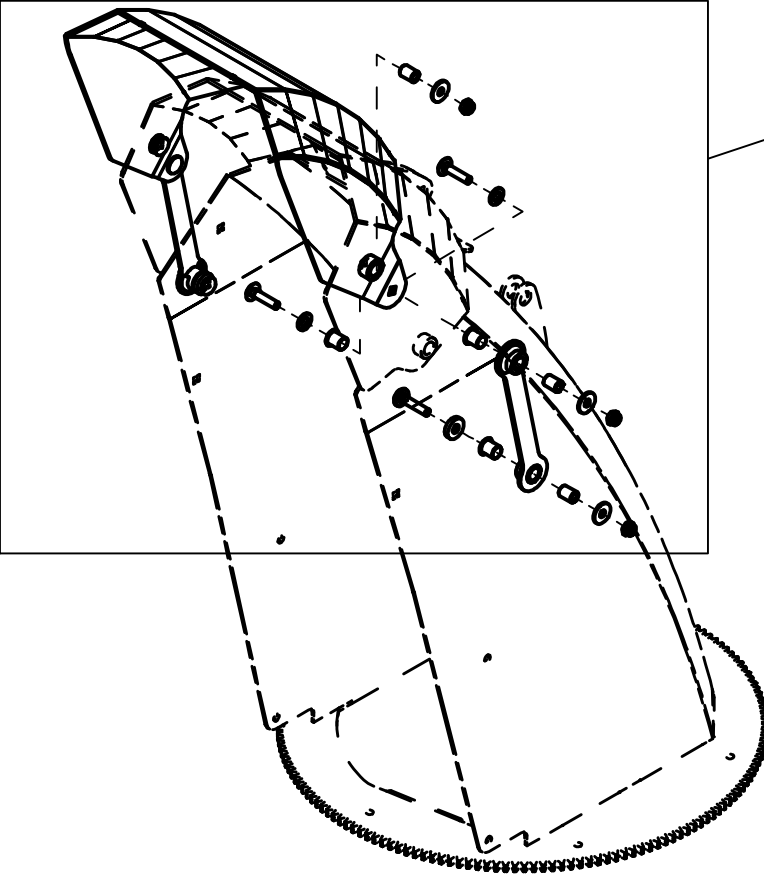
| Pos | Qty | Article no | Designation |
|-----|-----|------------|---|
| 1 | 1 | 12531058 | Ejector fan 90 cm Rögelberg |
| 2 | 2 | 2481611 | Hexagon nut M12 EIZn DIN 934 |
| 3 | 2 | 2473348 | Hollow threaded pin M12x30 EIZn DIN 916 |
| 4 | 1 | 12531030 | Sleeve Ø60/70 |
| 5 | 1 | 12531074 | Sleeve Ø60/70 |
| 6 | 1 | 12531078 | Bearing trestle TF250 |
| 7 | 1 | 2954178 | Flange bearing UCF 312 60mm |
| 8 | 4 | 2531086 | Washer M20 EIZn DIN 125 |
| 9 | 4 | 2534086 | Spring washer M20 EIZn DIN 127 |
| 10 | 4 | 2422574 | Hexagon screw M20x50 EIZn 8.8 DIN 933 |
| 11 | 4 | 2483613 | Locking nut M16 EIZn DIN 985 |
| 12 | 8 | 2531078 | Washer M16 EIZn DIN 125 |
| 13 | 4 | 2422489 | Hexagon screw M16x40 EIZn 8.8 DIN 933 |
| 14 | 1 | 12531079 | PTO Protection |
| 15 | 4 | 2531060 | Washer M10 EIZn DIN 125 |
| 16 | 4 | 2534060 | Spring washer M10 EIZn DIN 127 |
| 17 | 4 | 2422295 | Hexagon screw M10x20 EIZn 8.8 DIN 933 |

25318004 Ejector spout



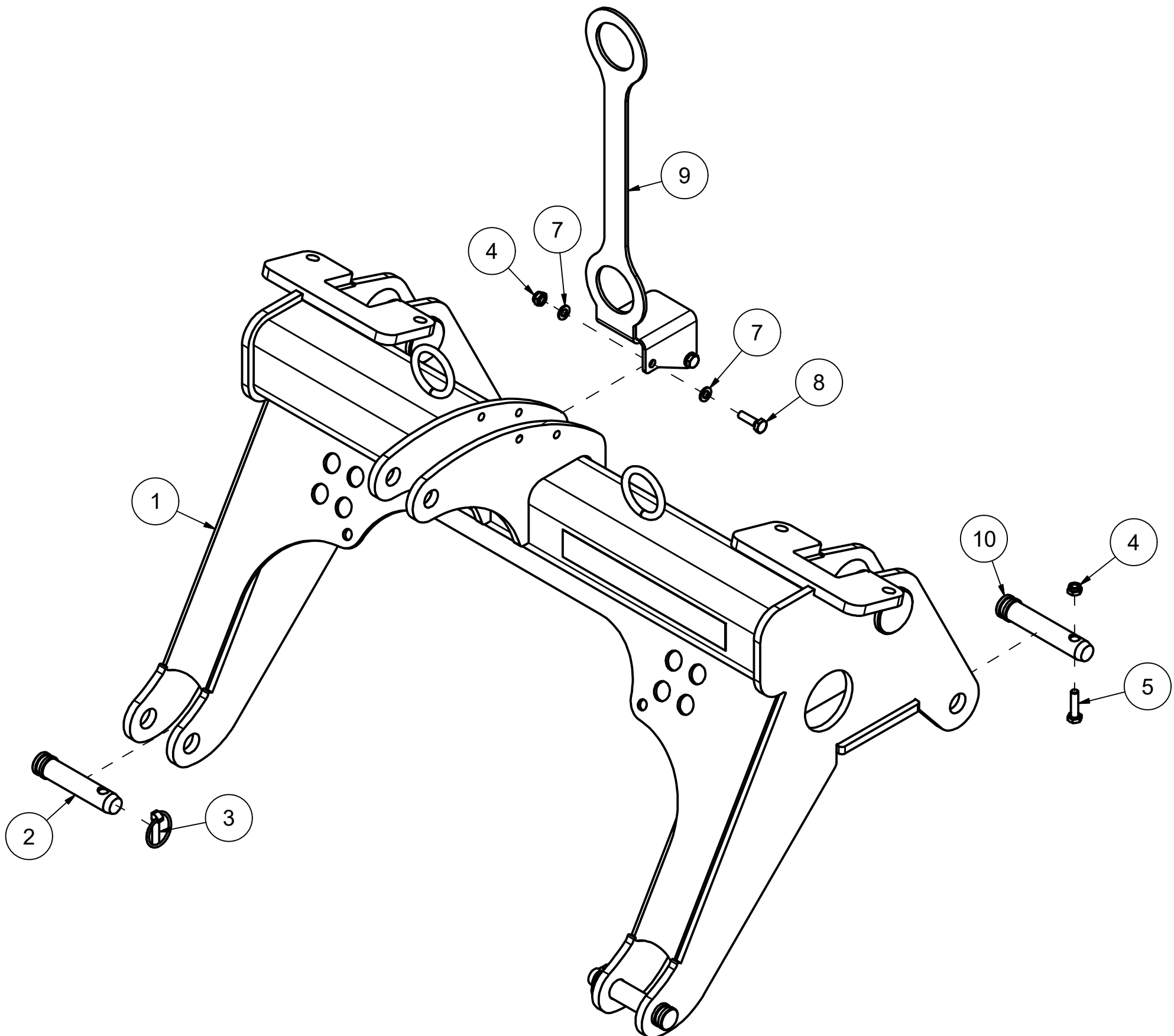
| Pos | Qty | Article no | Designation |
|-----|-----|------------|---------------------------------------|
| 1 | 37 | 2531060 | Washer M10 EIZn DIN 125 |
| 2 | 21 | 2483610 | Locking nut M10 EIZn DIN 985 |
| 3 | 2 | 2422303 | Hexagon screw M10x40 EIZn 8.8 DIN 931 |
| 4 | 1 | 12512007 | Ball bearing ring Ø600 |
| 5 | 11 | 2422301 | Hexagon screw M10x35 EIZn 8.8 DIN 933 |
| 6 | 2 | 2344330 | Locking screw M10x25 EIZn 8.8 DIN 603 |
| 7 | 4 | 2422299 | Hexagon screw M10x30 EIZn 8.8 DIN 933 |
| 8 | 1 | 2935150 | Sticker Duun 160x160 |
| 9 | 2 | 2935088 | Sticker 90x48 Hand crushing hazard |
| 10 | 1 | 12512014 | Grate |
| 11 | 2 | 2957754 | Hexagon nipple GEK BSP 1/4" L10 ED |
| 12 | 1 | 1251152 | Stopper mot Hull |
| 13 | 2 | 2245218 | Plastic lining Ø18/16 Flange Ø26 |
| 14 | 2 | 2344335 | Locking screw M10x45 EIZn 8.8 DIN 603 |
| 15 | 6 | 2531069 | Washer M12 EIZn DIN 125 |
| 16 | 2 | 2533060 | Body washer M10 EIZn DIN 9021 |
| 17 | 2 | 12531031 | Bearing sleeve |
| 18 | 1 | 12531023 | Bracket |
| 19 | 1 | 12531024 | Cover |
| 20 | 1 | 2955508 | Hydraulic motor 50 ccm |
| 21 | 1 | 2964106 | Cog wheel Z14 module 4 |
| 22 | 1 | 2533058 | Body washer ø9/35x3 EIZn |
| 23 | 1 | 2534047 | Spring washer M8 EIZn DIN 127 |
| 24 | 1 | 2422246 | Hexagon screw M8x25 EIZn 8.8 DIN 933 |
| 25 | 2 | 2483611 | Locking nut M12 EIZn DIN 985 |
| 26 | 2 | 2422352 | Hexagon screw M12x40 EIZn 8.8 DIN 933 |
| 27 | 3 | 2422290 | Hexagon screw M10x16 EIZn 8.8 DIN 933 |
| 28 | 3 | 2534060 | Spring washer M10 EIZn DIN 127 |
| 29 | 2 | 2957758 | Hexagon nipple GEK BSP 1/2" L10 ED |
| 30 | 1 | 12531118 | Spout for tap ø600 |
| 31 | 2 | 2483615 | Locking nut M20 EIZn DIN 985 |
| 32 | 4 | 2531086 | Washer M20 EIZn DIN 125 |
| 33 | 2 | 2422576 | Hexagon screw M20x60 EIZn 8.8 DIN 931 |
| 34 | 1 | 12531119 | Intermediate flap |
| 35 | 1 | 2955003 | Cylinder Ø32/20 SL150 |

25318005 Breakdown flap



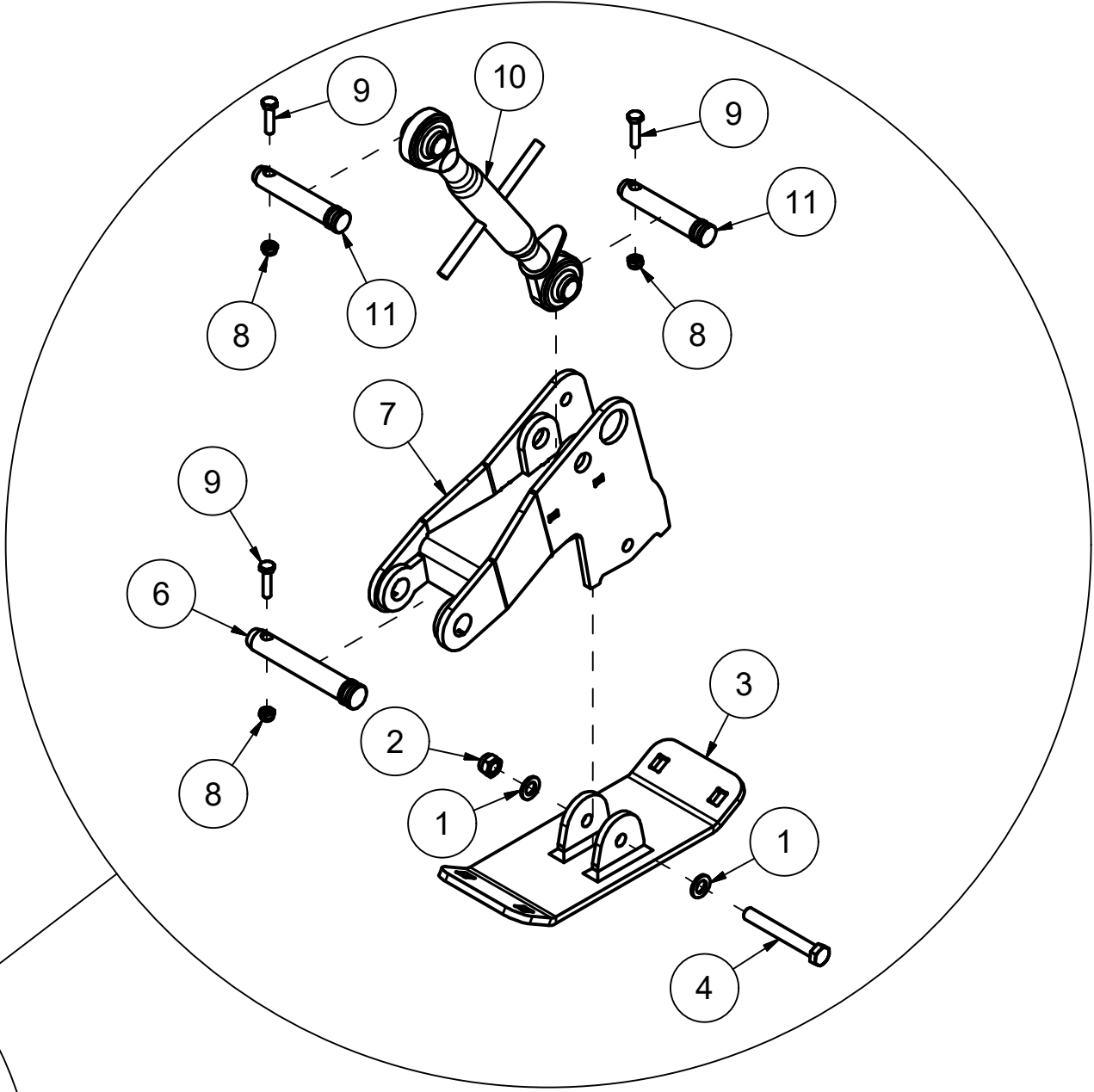
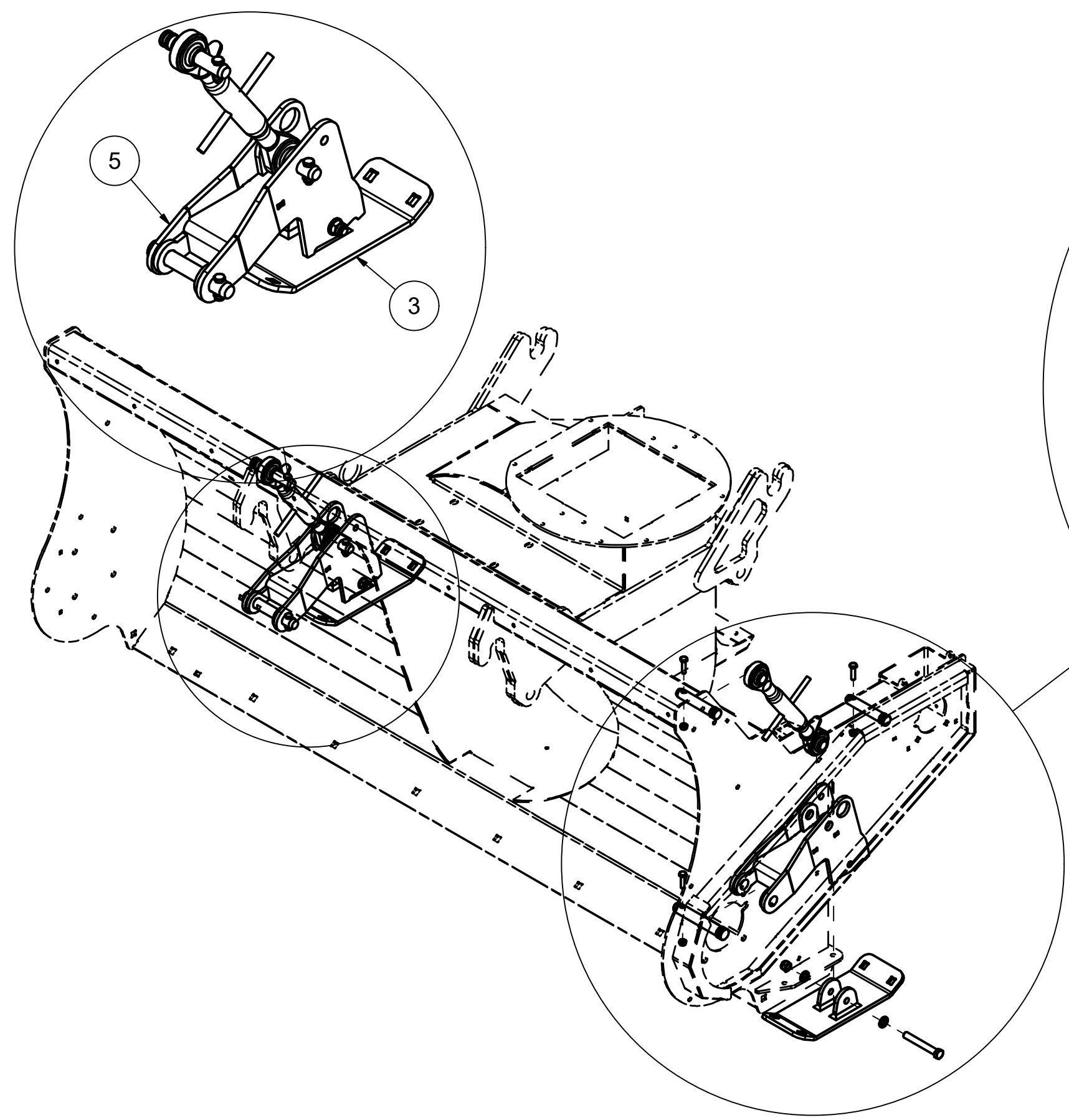
| Pos | Qty | Article no | Designation |
|-----|-----|------------|---------------------------------------|
| 1 | 1 | 12531026 | Top flap |
| 2 | 6 | 2245218 | Plastic lining Ø18/16 Flange Ø26 |
| 3 | 6 | 2483610 | Locking nut M10 EIZn DIN 985 |
| 4 | 6 | 2533060 | Body washer M10 EIZn DIN 9021 |
| 5 | 6 | 12531031 | Bearing sleeve |
| 6 | 4 | 2344335 | Locking screw M10x45 EIZn 8.8 DIN 603 |
| 7 | 6 | 2531069 | Washer M12 EIZn DIN 125 |
| 8 | 2 | 12531033 | Lenke |
| 9 | 2 | 14131075 | Washer ø 12,2/30x6 |
| 10 | 2 | 2344337 | Locking screw M10x50 EIZn 8.8 DIN 603 |

25318006 Three-point linkage



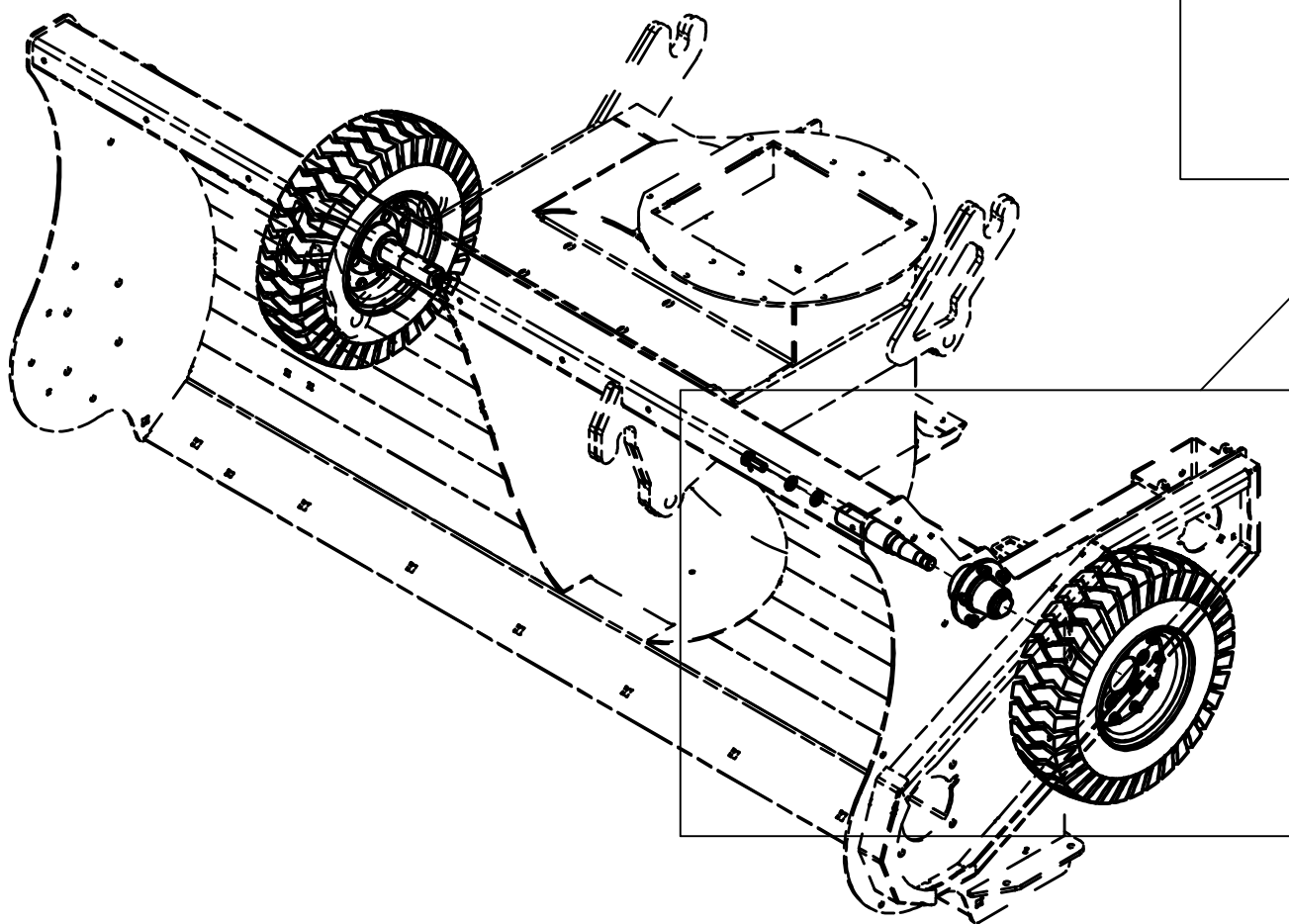
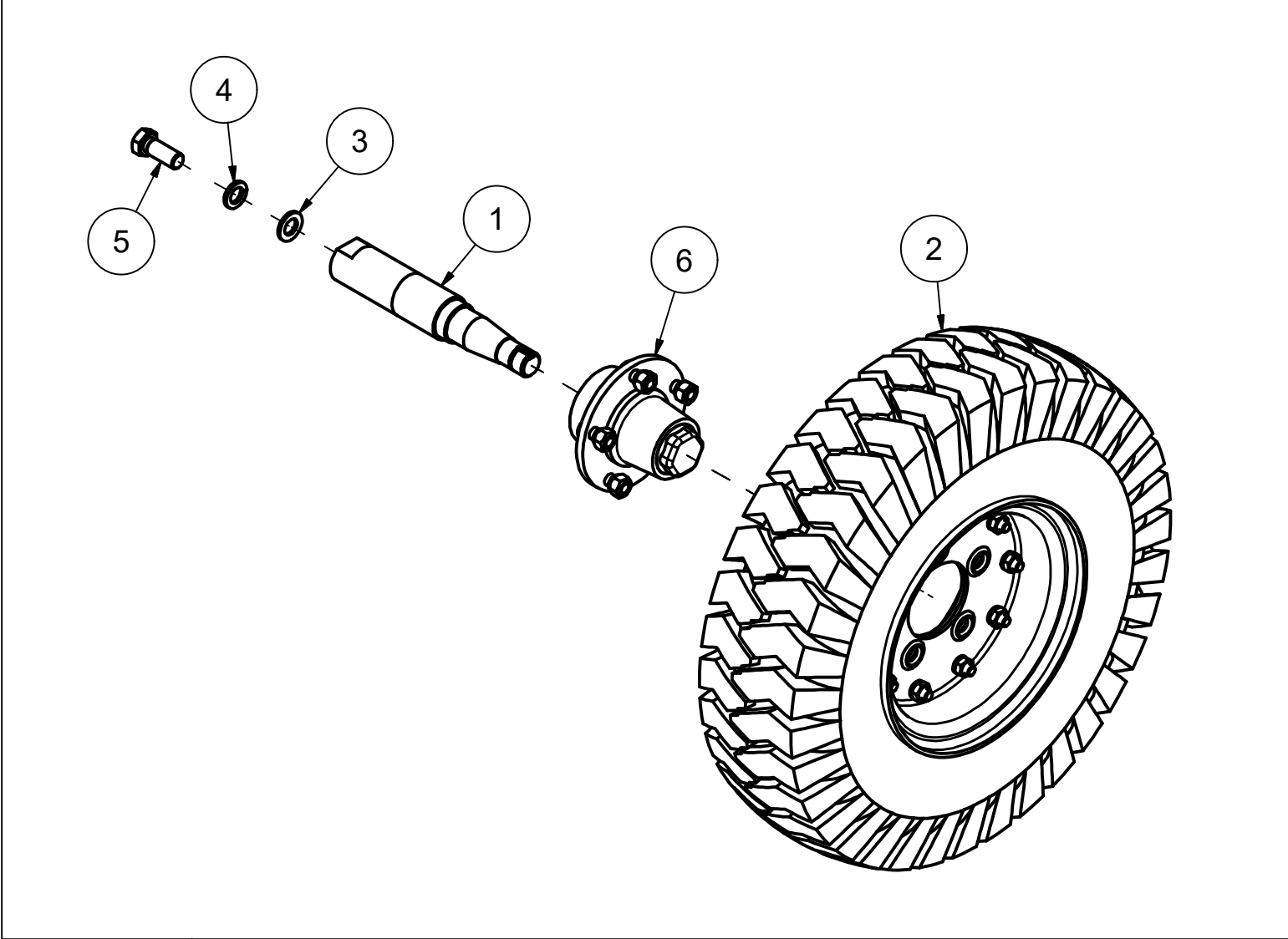
| Pos | Qty | Article no | Designation |
|-----|-----|------------|--|
| 1 | 1 | 12531006 | Tractor attachment |
| 2 | 2 | 2551730 | Drawbar bolt cat. 2 Ø28x95 |
| 3 | 2 | 2556142 | Linch pin Ø10x40 |
| 4 | 4 | 2483610 | Locking nut M10 EIZn DIN 985 |
| 5 | 2 | 2422303 | Hexagon screw M10x40 EIZn 8.8 DIN 931 |
| 6 | 1 | 2935121 | Sticker 45x309 Snow blower 540 rpm collector plate |
| 7 | 4 | 2531060 | Washer M10 EIZn DIN 125 |
| 8 | 2 | 2422301 | Hexagon screw M10x35 EIZn 8.8 DIN 933 |
| 9 | 1 | 12531100 | Hose holder |
| 10 | 2 | 2551731 | Drawbar bolt cat. 2 Ø28x110 |

25318007 Skid pad



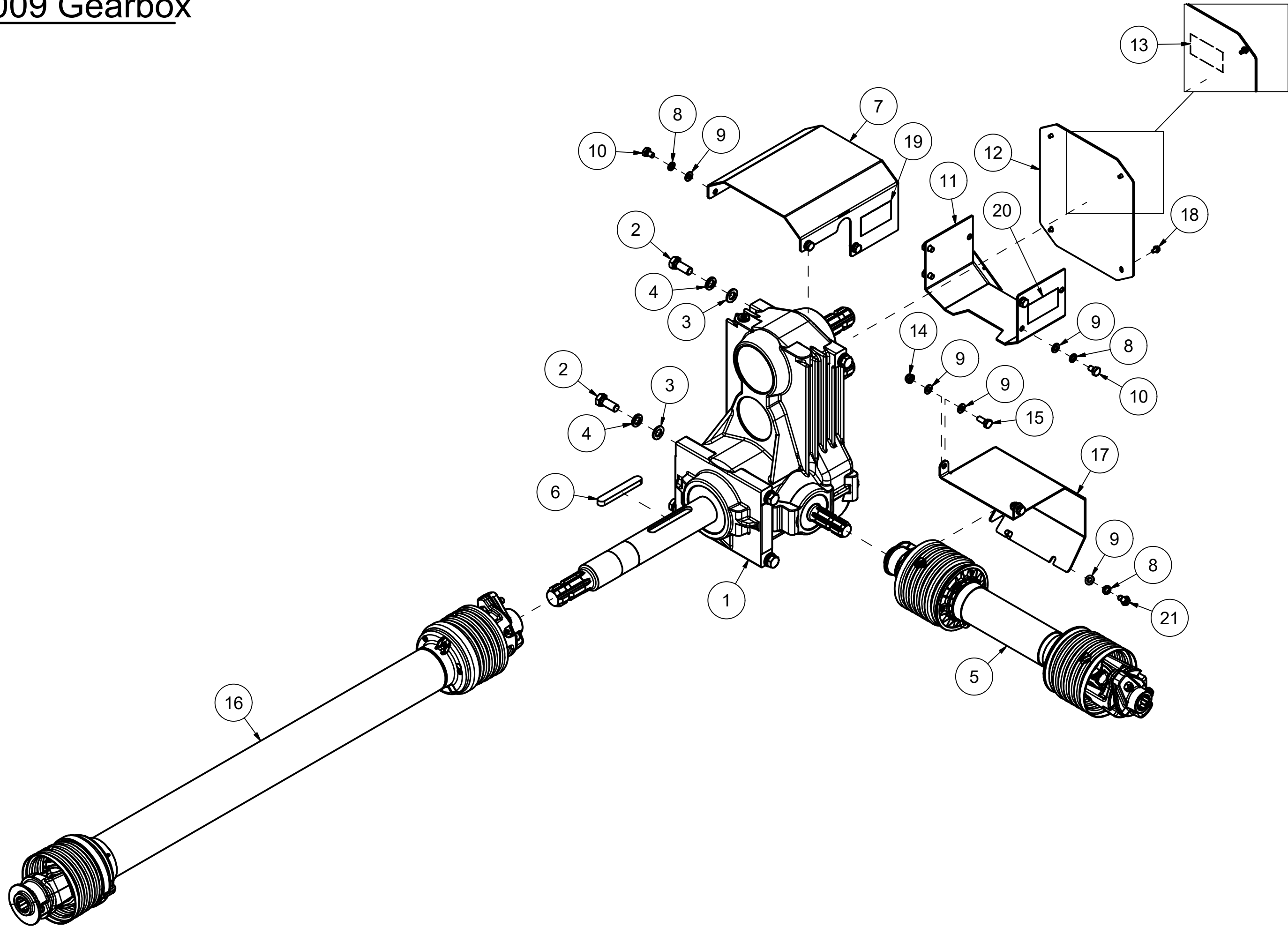
| Pos | Qty | Article no | Designation |
|-----|-----|------------|--|
| 1 | 4 | 2531078 | Washer M16 EIZn DIN 125 |
| 2 | 2 | 2483613 | Locking nut M16 EIZn DIN 985 |
| 3 | 2 | 1252143 | Left skid pad |
| 4 | 2 | 2422504 | Hexagon screw M16x120 EIZn 8.8 DIN 931 |
| 5 | 1 | 12531115 | Right skid pad holder |
| 6 | 2 | 2551732 | Drawbar bolt cat. 2 Ø28x134 |
| 7 | 1 | 12531116 | Left skid pad holder |
| 8 | 6 | 2483610 | Locking nut M10 EIZn DIN 985 |
| 9 | 6 | 2422303 | Hexagon screw M10x40 EIZn 8.8 DIN 931 |
| 10 | 2 | 2551715 | Turnbuckle cat.2 400mm |
| 11 | 4 | 2526326 | Top strut bolt cat. 2 Ø25,4x103 |

25318008 Wheel



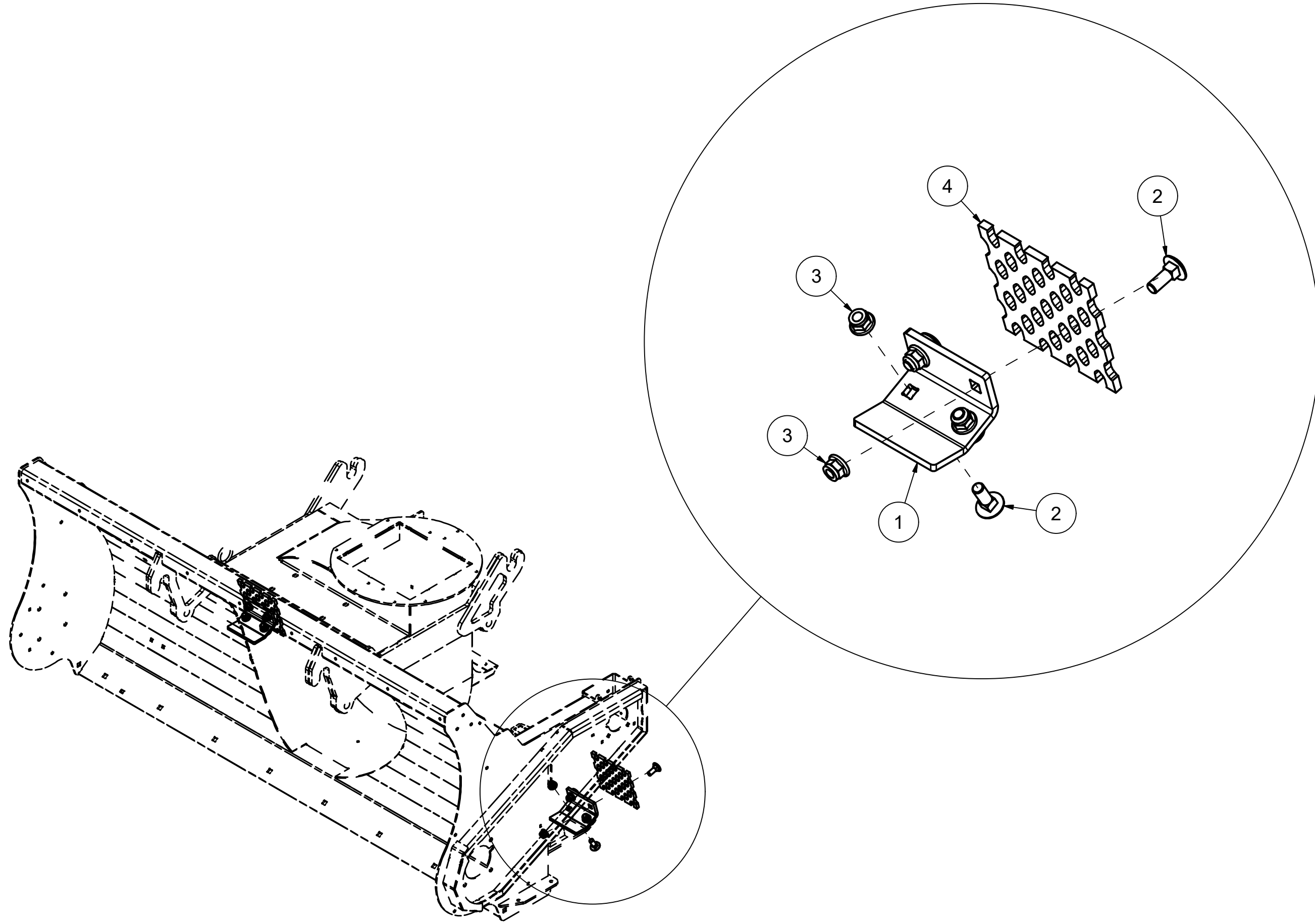
| Pos | Qty | Article no | Designation |
|-----|-----|------------|---------------------------------------|
| 1 | 2 | 1252133 | Shaft pin for wheels |
| 2 | 2 | 2941520 | Wheel 6.00x9 10L Compl. w/rim |
| 3 | 2 | 2531078 | Washer M16 EIZn DIN 125 |
| 4 | 2 | 2534078 | Spring washer M16 EIZn DIN 127 |
| 5 | 2 | 2422489 | Hexagon screw M16x40 EIZn 8.8 DIN 933 |
| 6 | 2 | 2941621 | Hub no. 21 without shaft pin |

25318009 Gearbox



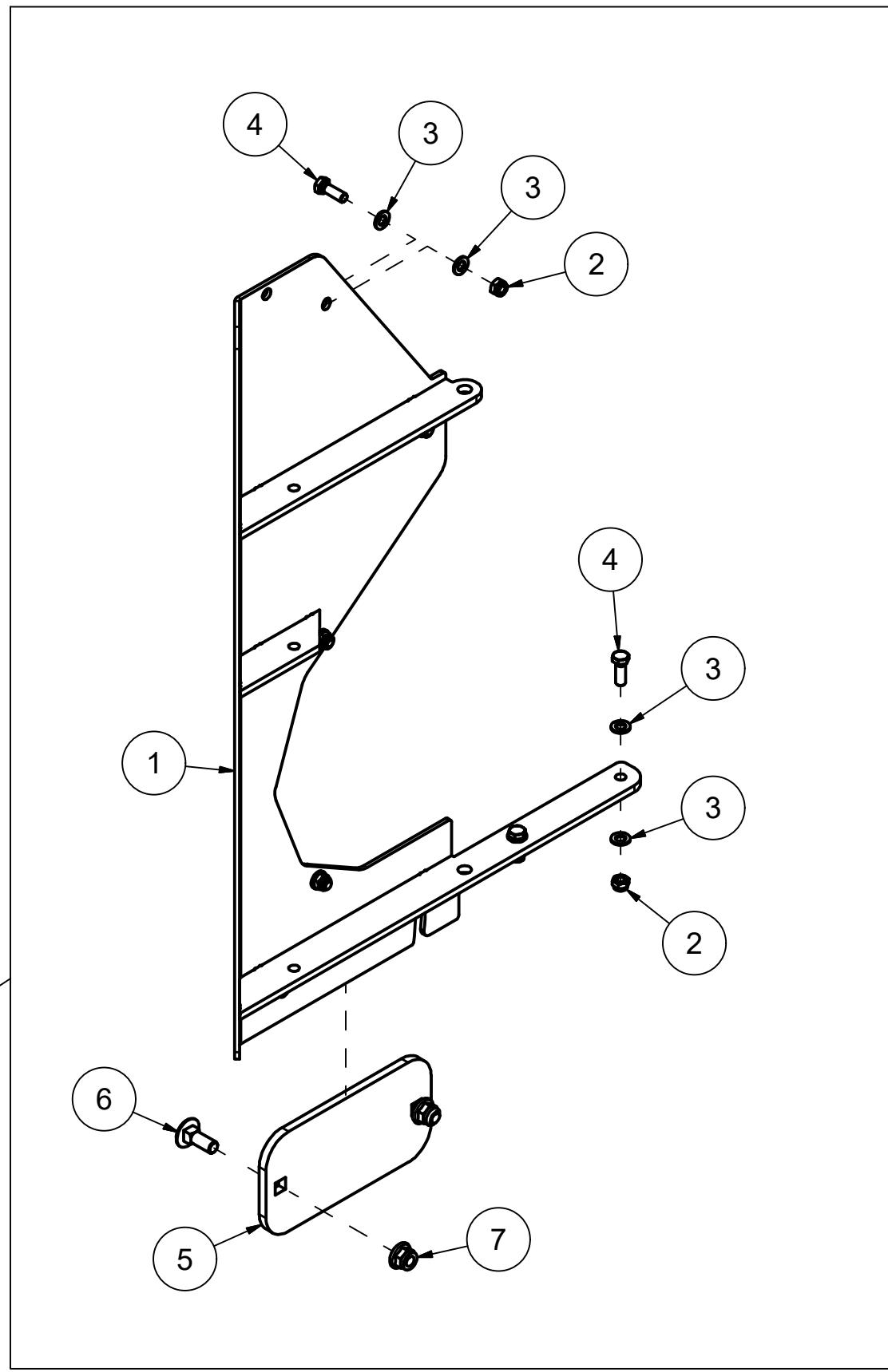
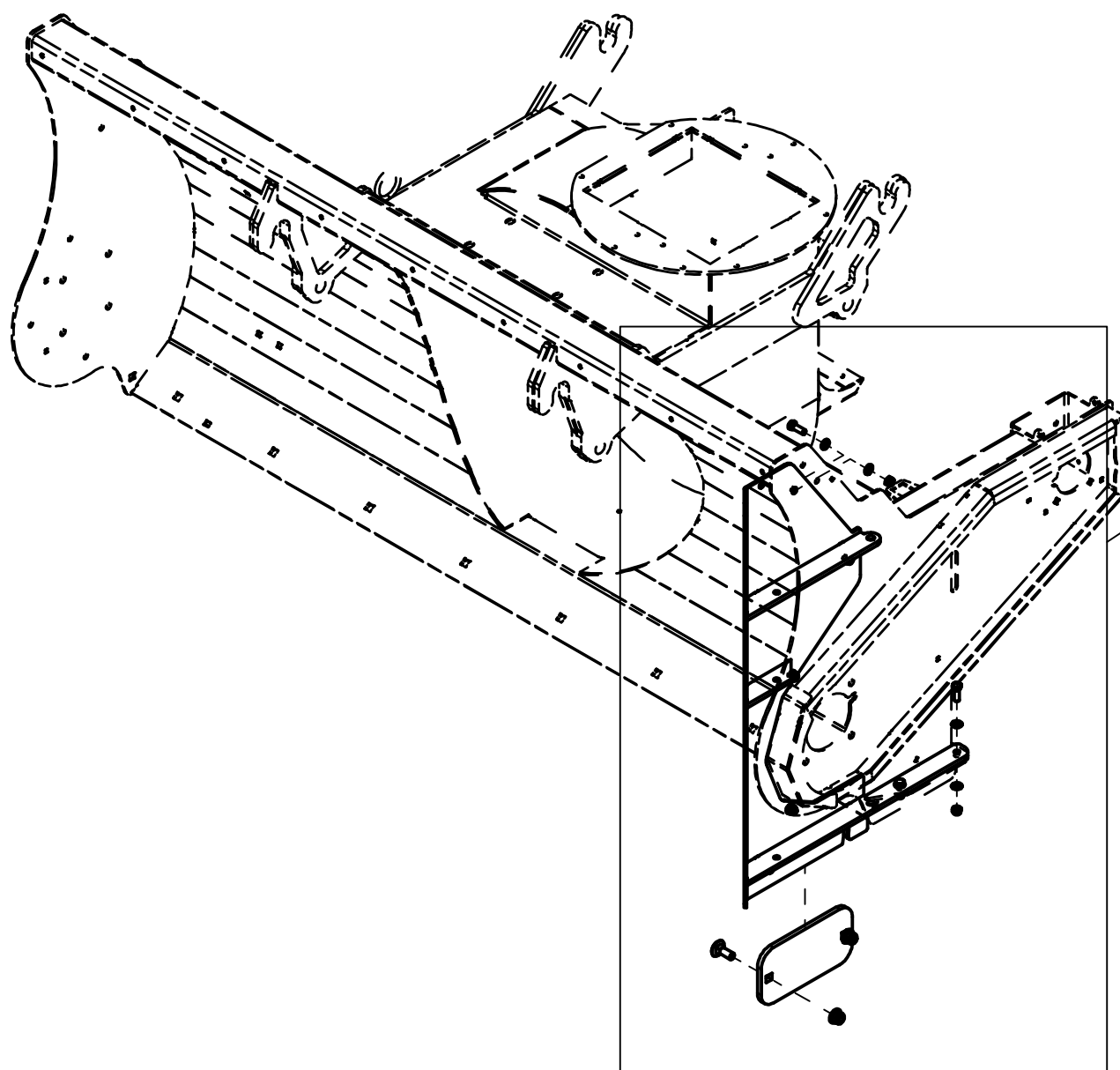
| Pos | Qty | Article no | Designation |
|-----|-----|------------|---|
| 1 | 1 | 2961022 | Gearbox 90° 1000/540 rpm |
| 2 | 6 | 2422489 | Hexagon screw M16x40 EIZn 8.8 DIN 933 |
| 3 | 6 | 2531078 | Washer M16 EIZn DIN 125 |
| 4 | 6 | 2534078 | Spring washer M16 EIZn DIN 127 |
| 5 | 1 | 2962154 | Power transmission shaft 3/8" L487 |
| 6 | 1 | 2115195 | Cotter 18x11 L125 St DIN 6885A |
| 7 | 1 | 12531059 | Gearbox cover |
| 8 | 10 | 2534060 | Spring washer M10 EIZn DIN 127 |
| 9 | 14 | 2531060 | Washer M10 EIZn DIN 125 |
| 10 | 8 | 2422290 | Hexagon screw M10x16 EIZn 8.8 DIN 933 |
| 11 | 1 | 12531060 | Gearbox cover |
| 12 | 1 | 12531061 | Plate |
| 13 | 1 | 2935088 | Sticker 90x48 Hand crushing hazard |
| 14 | 2 | 2483610 | Locking nut M10 EIZn DIN 985 |
| 15 | 2 | 2422297 | Hexagon screw M10x25 EIZn 8.8 DIN 933 |
| 16 | 1 | 2962158 | Power transmission shaft 3/4" L1210 |
| 17 | 1 | 12531099 | Cover PTO |
| 18 | 4 | 2451196 | Hexagon screw with flange M6x10 EIZn 8.8 DIN 6921 |
| 19 | 1 | 2935059 | Sticker 90x48 1000 omdr |
| 20 | 1 | 2935061 | Sticker 90x48 540 omdr |
| 21 | 2 | 2422295 | Hexagon screw M10x20 EIZn 8.8 DIN 933 |

25318010 Ice scraper skid pad



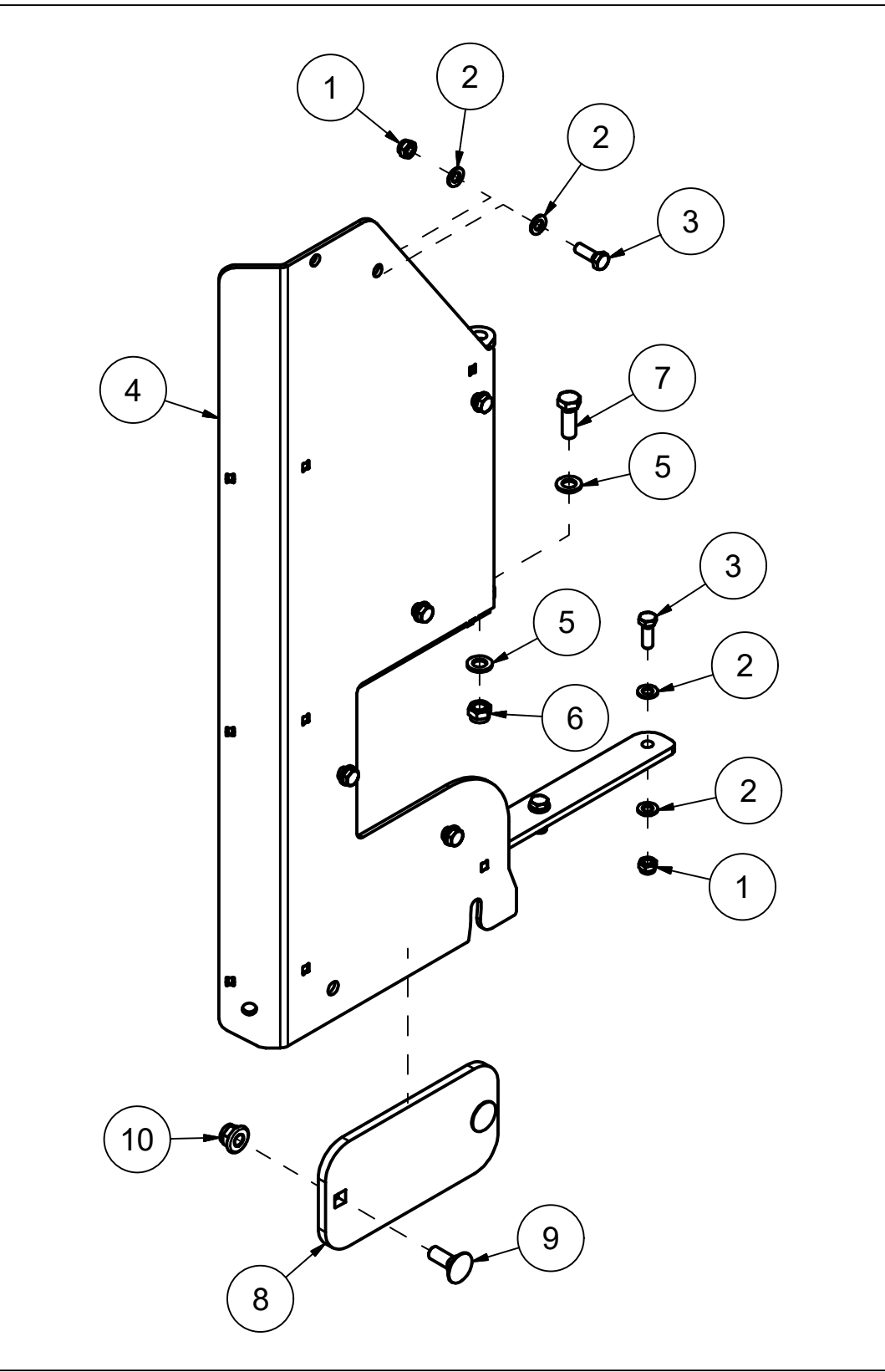
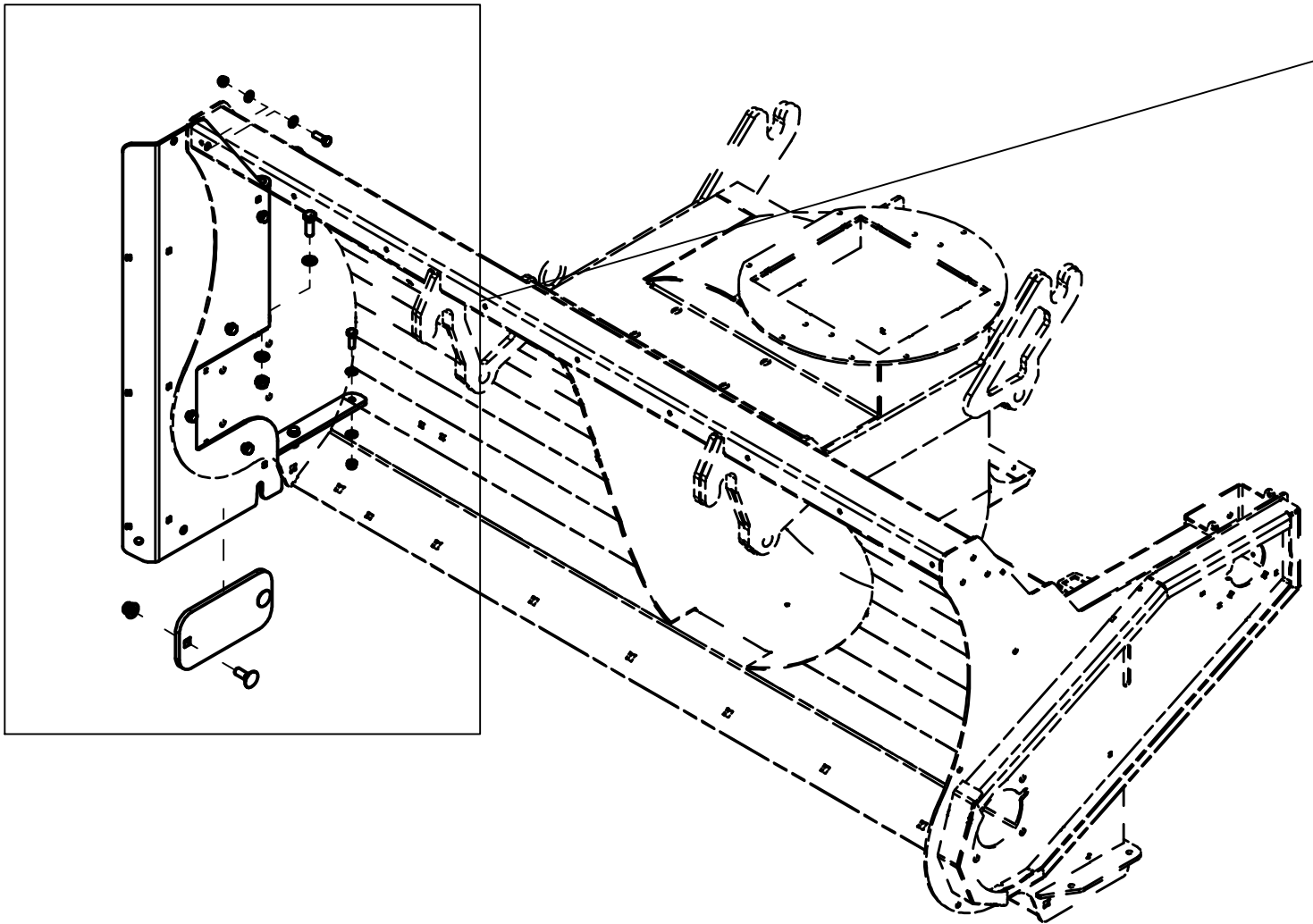
| Pos | Qty | Article no | Designation |
|-----|-----|------------|---|
| 1 | 2 | 12530074 | Ice scraper bracket |
| 2 | 8 | 2344491 | Locking screw M16x45 ElZn 8.8 DIN 603 |
| 3 | 8 | 2489175 | Locking nut with flange M16 ElZn DIN 6926 |
| 4 | 2 | 12530102 | Ice scraper 11x200x203 |

25318011 Left side wall



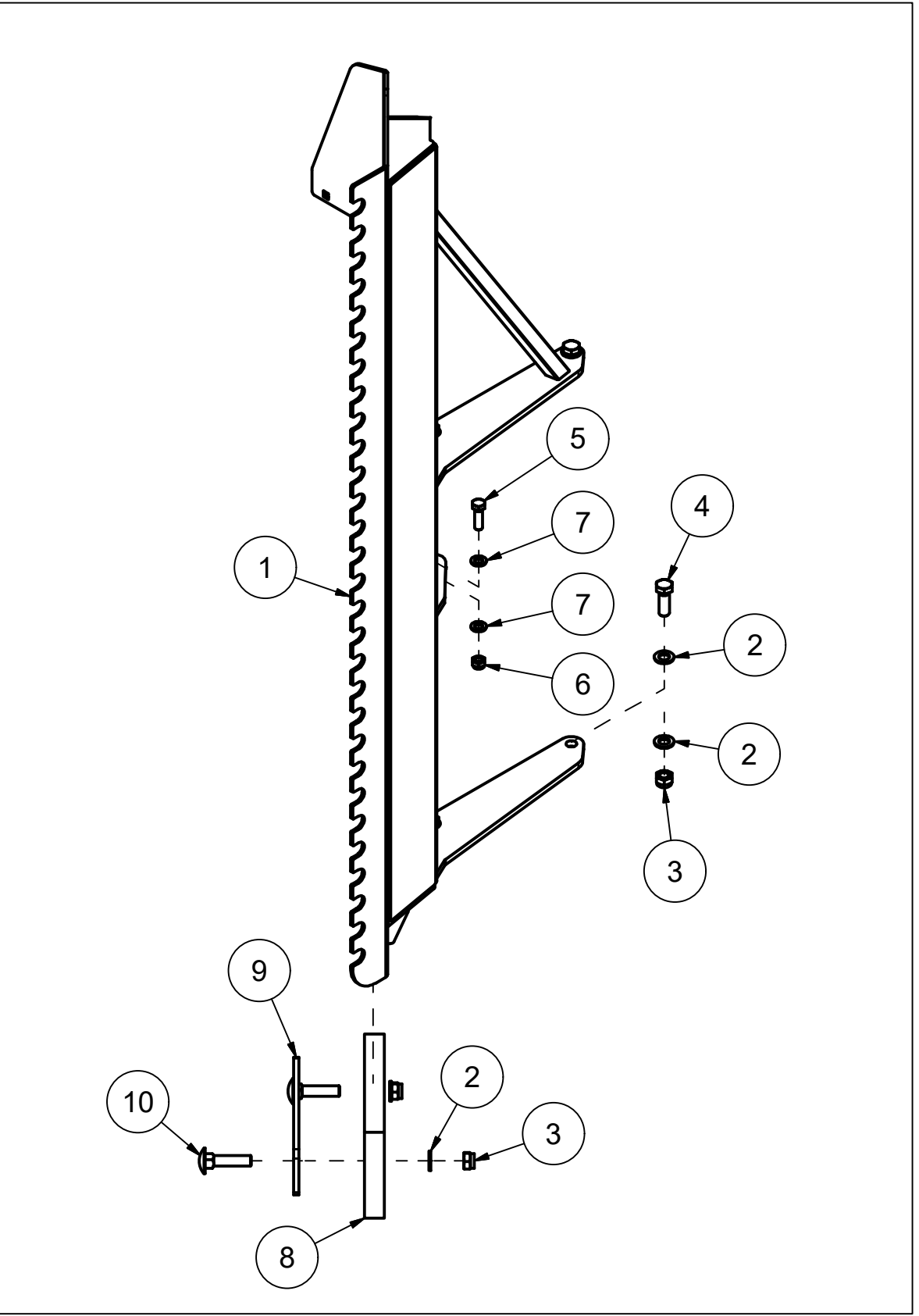
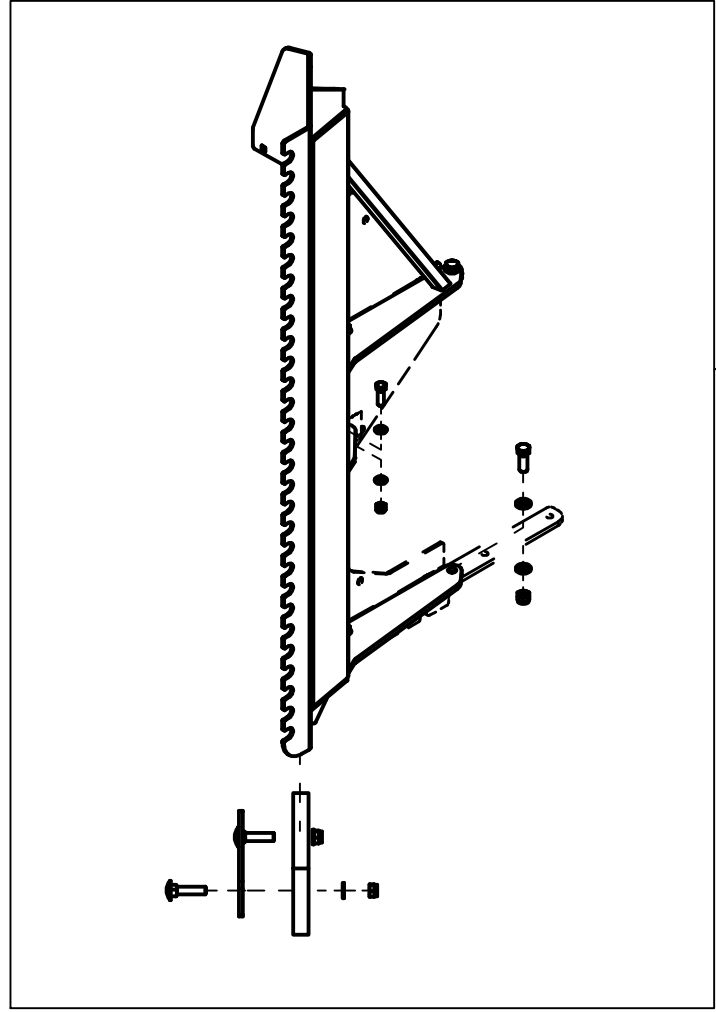
| Pos | Qty | Article no | Designation |
|-----|-----|------------|---|
| 1 | 1 | 12531004 | Left side wall TF250 |
| 2 | 6 | 2483611 | Locking nut M12 EIZn DIN 985 |
| 3 | 12 | 2531069 | Washer M12 EIZn DIN 125 |
| 4 | 6 | 2422350 | Hexagon screw M12x35 EIZn 8.8 DIN 933 |
| 5 | 1 | 1252096 | Wear steel 12x152x190 |
| 6 | 2 | 2344491 | Locking screw M16x45 EIZn 8.8 DIN 603 |
| 7 | 2 | 2489175 | Locking nut with flange M16 EIZn DIN 6926 |

25318012 Right side wall



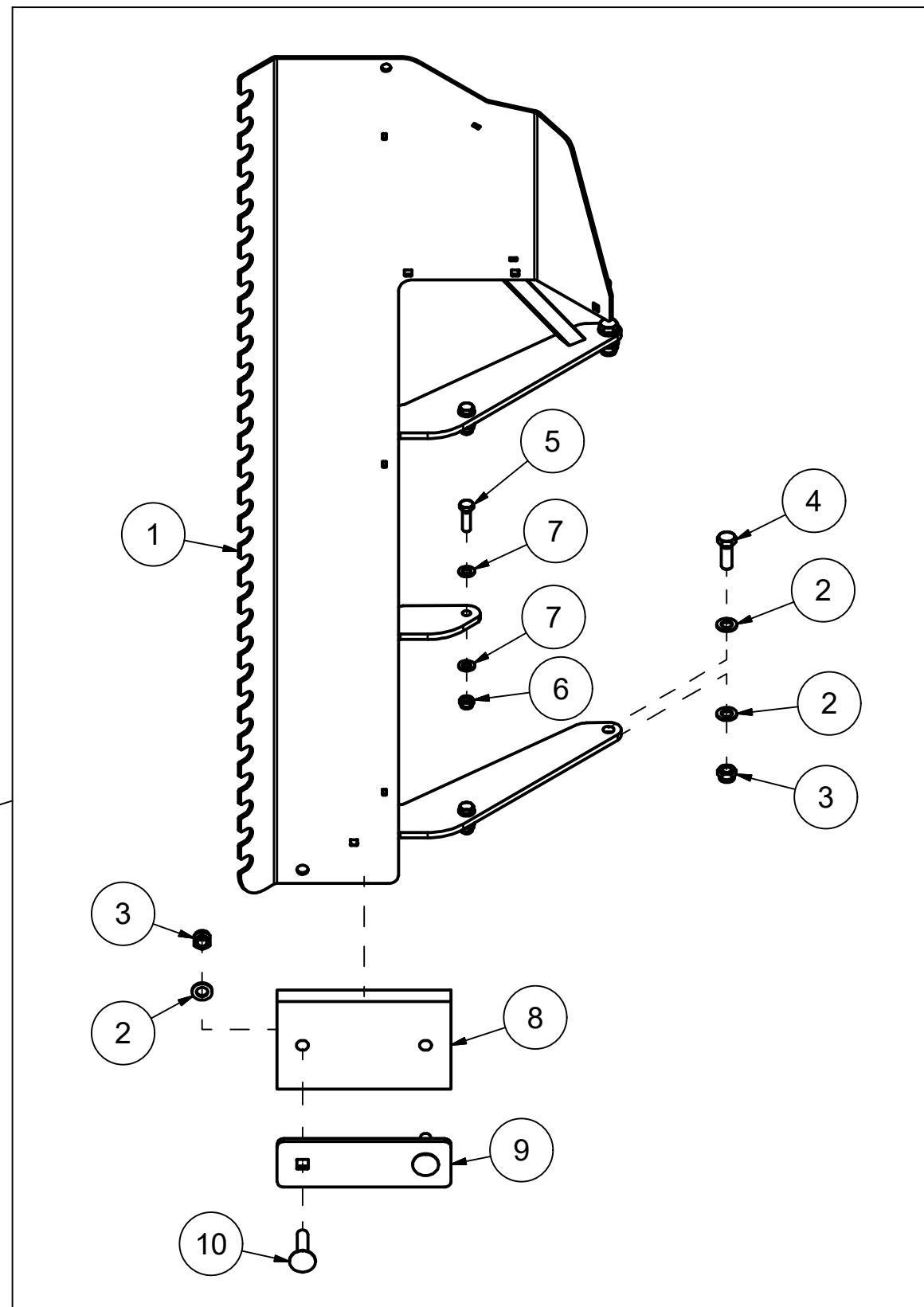
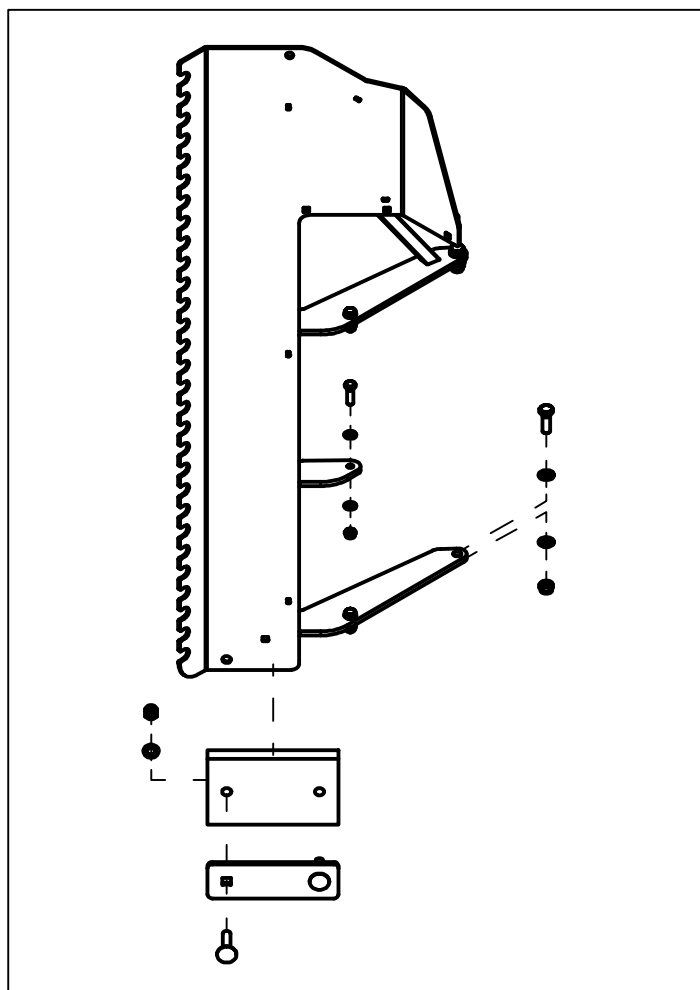
| Pos | Qty | Article no | Designation |
|-----|-----|------------|---|
| 1 | 8 | 2483611 | Locking nut M12 EIZn DIN 985 |
| 2 | 16 | 2531069 | Washer M12 EIZn DIN 125 |
| 3 | 8 | 2422350 | Hexagon screw M12x35 EIZn 8.8 DIN 933 |
| 4 | 1 | 12531005 | Right side wall TF250 |
| 5 | 2 | 2531078 | Washer M16 EIZn DIN 125 |
| 6 | 1 | 2483613 | Locking nut M16 EIZn DIN 985 |
| 7 | 1 | 2422491 | Hexagon screw M16x45 EIZn 8.8 DIN 933 |
| 8 | 1 | 1252096 | Wear steel 12x152x190 |
| 9 | 2 | 2344491 | Locking screw M16x45 EIZn 8.8 DIN 603 |
| 10 | 2 | 2489175 | Locking nut with flange M16 EIZn DIN 6926 |

25318013 Left side extension



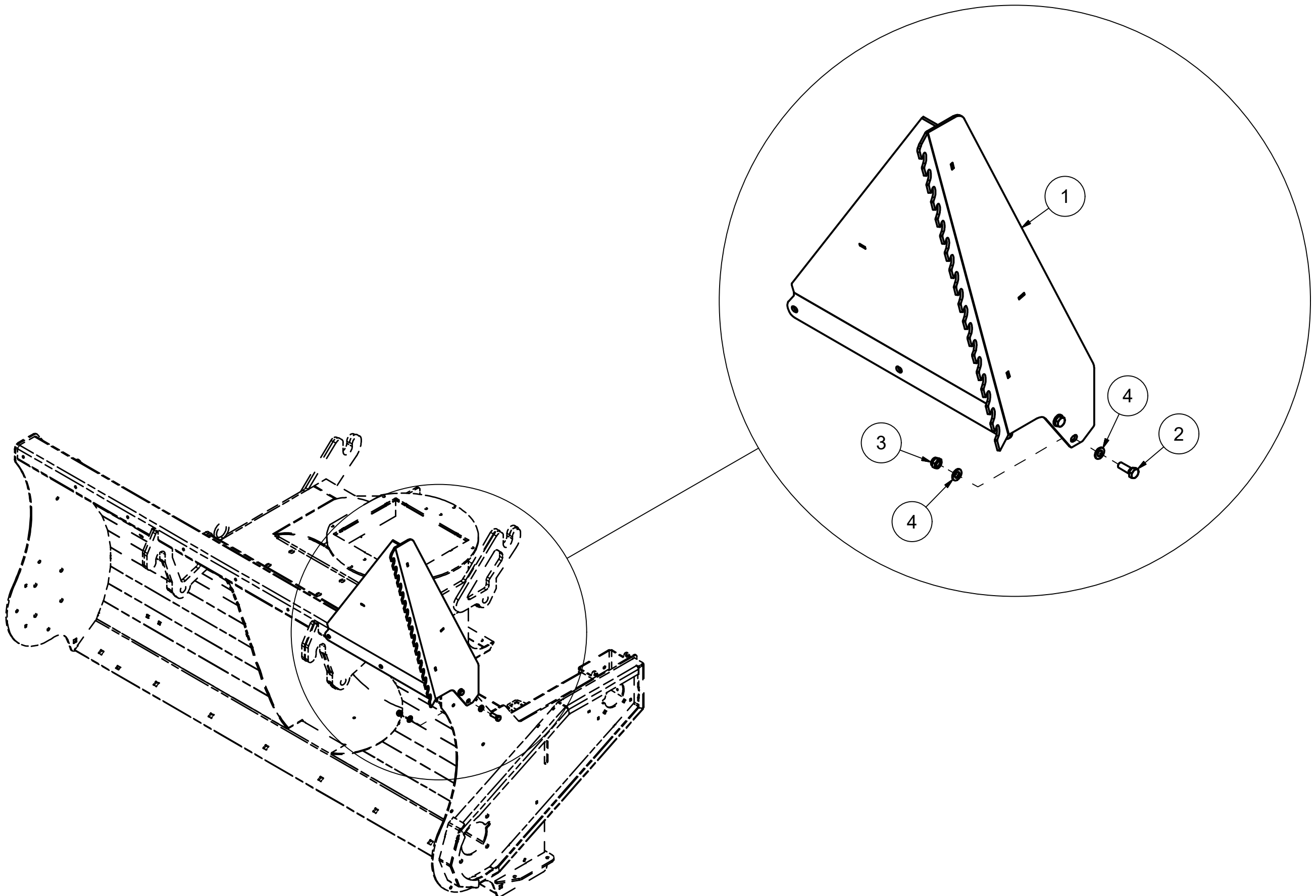
| Pos | Qty | Article no | Designation |
|-----|-----|------------|---------------------------------------|
| 1 | 1 | 12531034 | Left side extension |
| 2 | 6 | 2531078 | Washer M16 EIZn DIN 125 |
| 3 | 4 | 2483613 | Locking nut M16 EIZn DIN 985 |
| 4 | 2 | 2422491 | Hexagon screw M16x45 EIZn 8.8 DIN 933 |
| 5 | 3 | 2422352 | Hexagon screw M12x40 EIZn 8.8 DIN 933 |
| 6 | 3 | 2483611 | Locking nut M12 EIZn DIN 985 |
| 7 | 6 | 2531069 | Washer M12 EIZn DIN 125 |
| 8 | 1 | 12531035 | Edge scraper |
| 9 | 1 | 12531036 | Plate |
| 10 | 2 | 2344498 | Locking screw M16x70 EIZn 8.8 DIN 603 |

25318014 Right side extension



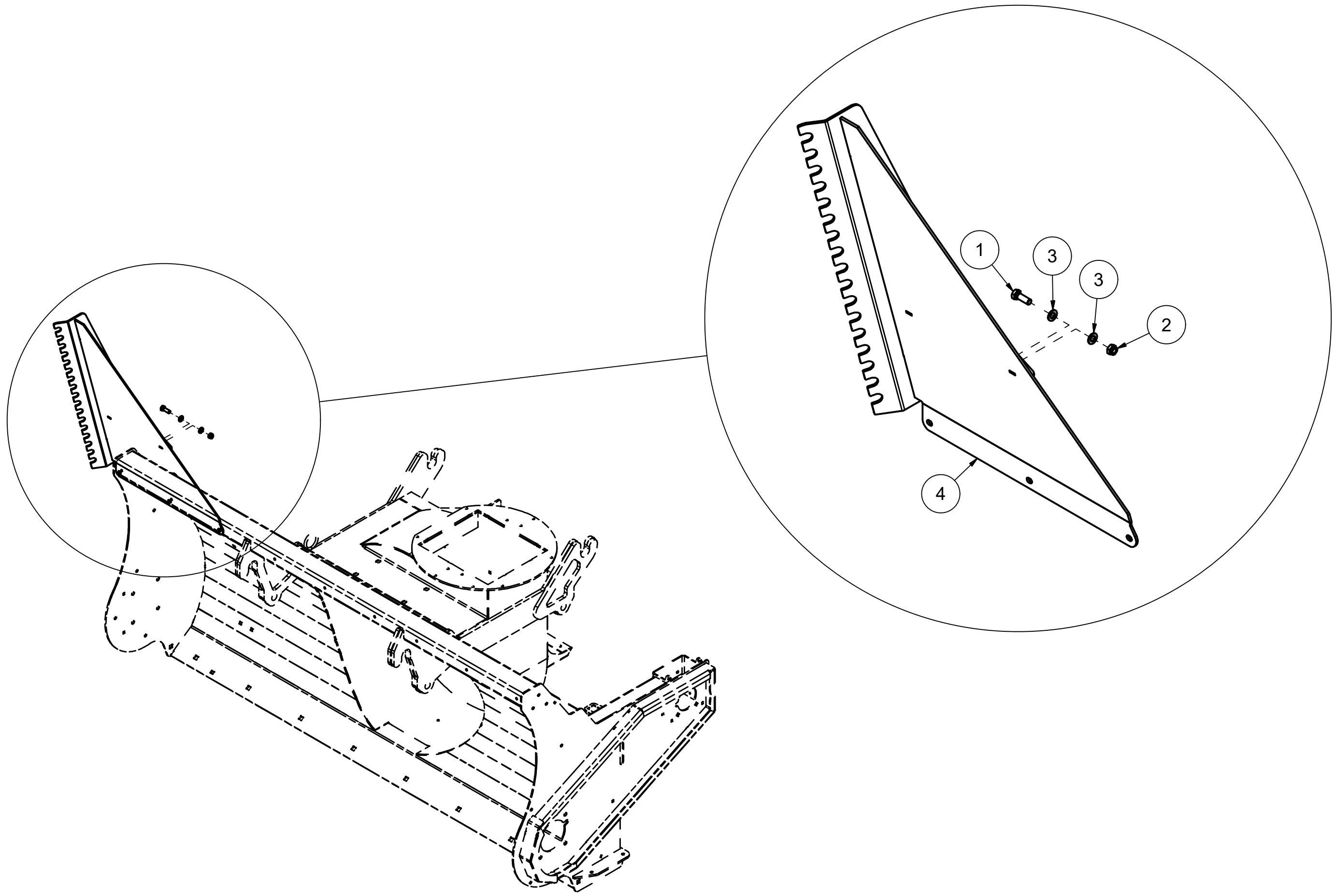
| Pos | Qty | Article no | Designation |
|-----|-----|------------|---------------------------------------|
| 1 | 1 | 12531037 | Right side extension |
| 2 | 6 | 2531078 | Washer M16 EIZn DIN 125 |
| 3 | 4 | 2483613 | Locking nut M16 EIZn DIN 985 |
| 4 | 2 | 2422491 | Hexagon screw M16x45 EIZn 8.8 DIN 933 |
| 5 | 3 | 2422352 | Hexagon screw M12x40 EIZn 8.8 DIN 933 |
| 6 | 3 | 2483611 | Locking nut M12 EIZn DIN 985 |
| 7 | 6 | 2531069 | Washer M12 EIZn DIN 125 |
| 8 | 1 | 12531035 | Edge scraper |
| 9 | 1 | 12531036 | Plate |
| 10 | 2 | 2344498 | Locking screw M16x70 EIZn 8.8 DIN 603 |

25318015 Upper left side extension



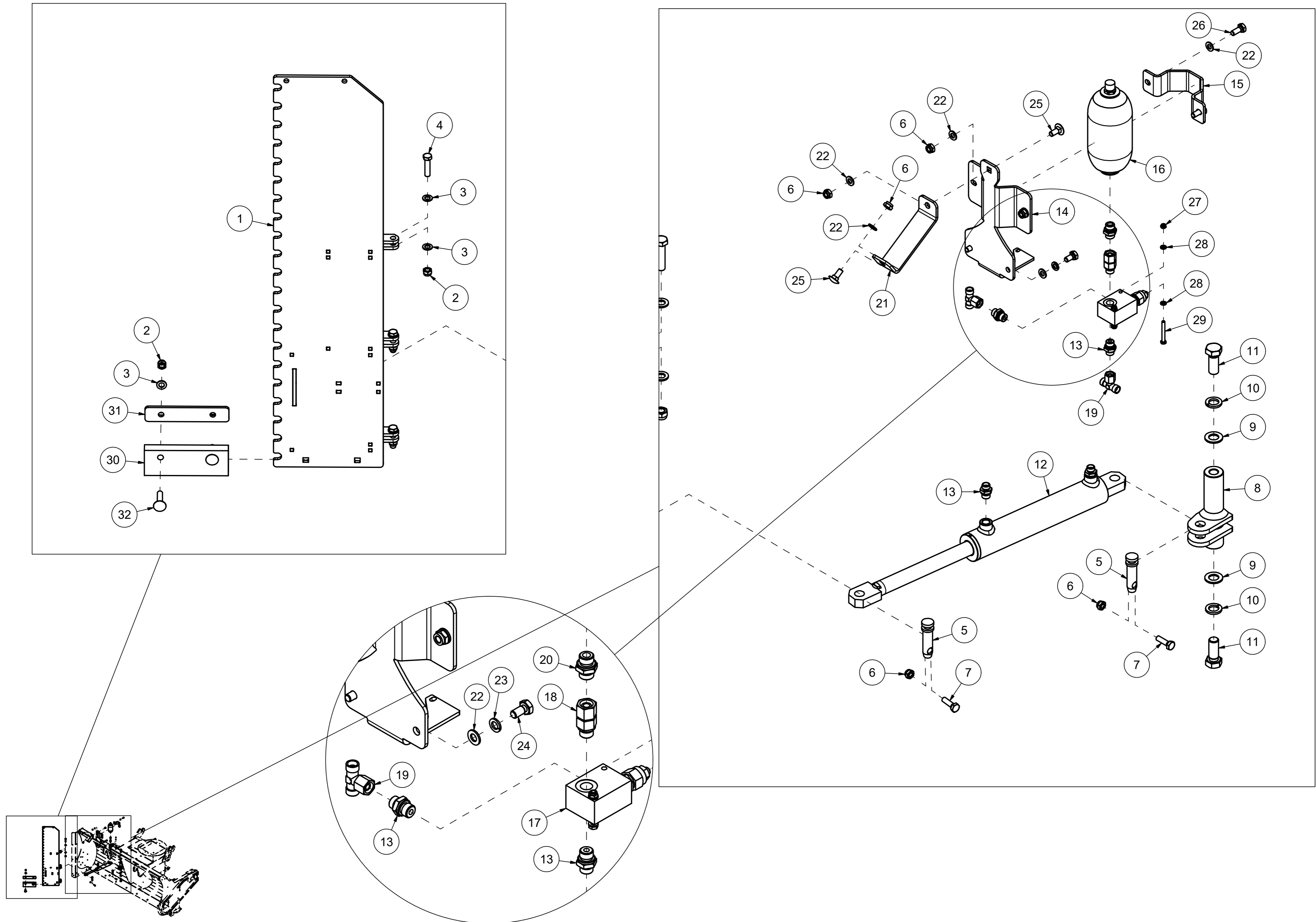
| Pos | Qty | Article no | Designation |
|-----|-----|------------|---------------------------------------|
| 1 | 1 | 12531042 | Upper left side extension |
| 2 | 2 | 2422350 | Hexagon screw M12x35 EIZn 8.8 DIN 933 |
| 3 | 2 | 2483611 | Locking nut M12 EIZn DIN 985 |
| 4 | 4 | 2531069 | Washer M12 EIZn DIN 125 |

25318016 Upper right side extension



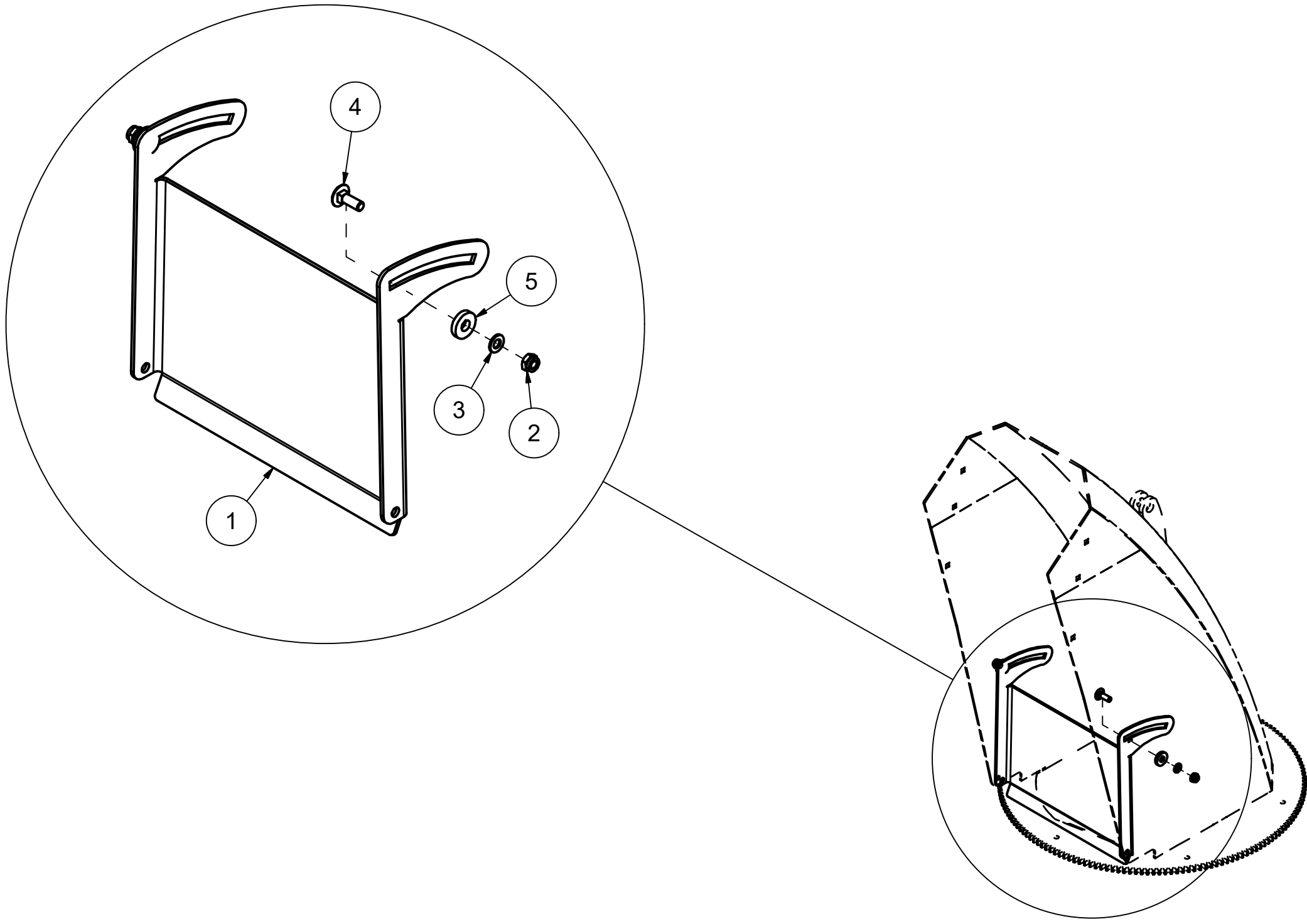
| Pos | Qty | Article no | Designation |
|-----|-----|------------|---------------------------------------|
| 1 | 2 | 2422350 | Hexagon screw M12x35 EIZn 8.8 DIN 933 |
| 2 | 2 | 2483611 | Locking nut M12 EIZn DIN 985 |
| 3 | 4 | 2531069 | Washer M12 EIZn DIN 125 |
| 4 | 1 | 12531041 | Upper right side extension |

25318017 Hydraulic side extension



| Pos | Qty | Article no | Designation |
|-----|-----|------------|---------------------------------------|
| 1 | 1 | 12531092 | Hydraulic side extension |
| 2 | 5 | 2483613 | Locking nut M16 EIZn DIN 985 |
| 3 | 8 | 2531078 | Washer M16 EIZn DIN 125 |
| 4 | 3 | 2422497 | Hexagon screw M16x65 EIZn 8.8 DIN 931 |
| 5 | 2 | 2526317 | Bolt Ø19,8x45 |
| 6 | 6 | 2483610 | Locking nut M10 EIZn DIN 985 |
| 7 | 2 | 2422301 | Hexagon screw M10x35 EIZn 8.8 DIN 933 |
| 8 | 1 | 12531038 | Cylinder attachment |
| 9 | 2 | 2531086 | Washer M20 EIZn DIN 125 |
| 10 | 2 | 2534086 | Spring washer M20 EIZn DIN 127 |
| 11 | 2 | 2422574 | Hexagon screw M20x50 EIZn 8.8 DIN 933 |
| 12 | 1 | 2955001 | Cylinder Ø50/30 SL230 |
| 13 | 4 | 2957759 | Hexagon nipple GEK BSP 3/8" L10 ED |
| 14 | 1 | 12531073 | Accumulator bracket |
| 15 | 1 | 12531072 | Clamp |
| 16 | 1 | 2955308 | Accumulator 0,7l |
| 17 | 1 | 2955323 | Safety valve |
| 18 | 1 | 2957748 | Swivel nipple EVGE 12L BSP 3/8" ED |
| 19 | 2 | 2957720 | T-Hexagon nipple EVTK 10L |
| 20 | 1 | 2957735 | Hexagon nipple GEK M18x1,5 L12 ED |
| 21 | 1 | 12531087 | Attach |
| 22 | 8 | 2531060 | Washer M10 EIZn DIN 125 |
| 23 | 2 | 2534060 | Spring washer M10 EIZn DIN 127 |
| 24 | 2 | 2422295 | Hexagon screw M10x20 EIZn 8.8 DIN 933 |
| 25 | 2 | 2441297 | Locking screw M10x25 EIZn 4.6 DIN 603 |
| 26 | 2 | 2422297 | Hexagon screw M10x25 EIZn 8.8 DIN 933 |
| 27 | 2 | 2483608 | Locking nut M6 EIZn DIN 985 |
| 28 | 4 | 2531039 | Washer M6 EIZn DIN 125 |
| 29 | 2 | 2422217 | Hexagon screw M6x50 EIZn 8.8 DIN 931 |
| 30 | 1 | 12531045 | Edge scraper |
| 31 | 1 | 12531046 | Plate |
| 32 | 2 | 2344498 | Locking screw M16x70 EIZn 8.8 DIN 603 |

25318018 Control plate in spout



| Pos | Qty | Article no | Designation |
|-----|-----|------------|---------------------------------------|
| 1 | 1 | 12531093 | Spout control plate |
| 2 | 2 | 2483610 | Locking nut M10 EIZn DIN 985 |
| 3 | 2 | 2531060 | Washer M10 EIZn DIN 125 |
| 4 | 2 | 2344331 | Locking screw M10x30 EIZn 8.8 DIN 603 |
| 5 | 2 | 14131075 | Washer ø 12,2/30x6 |